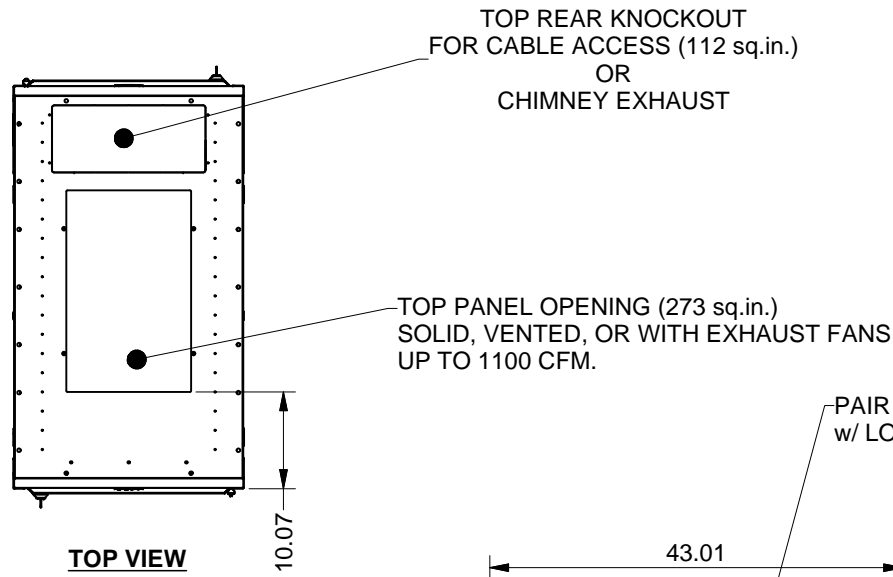
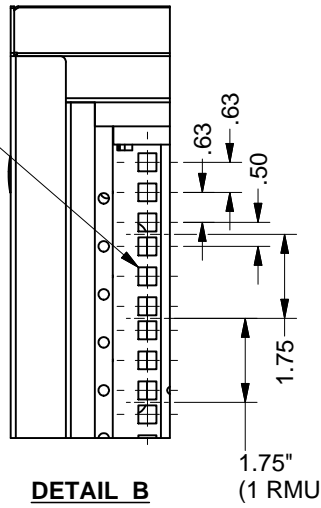
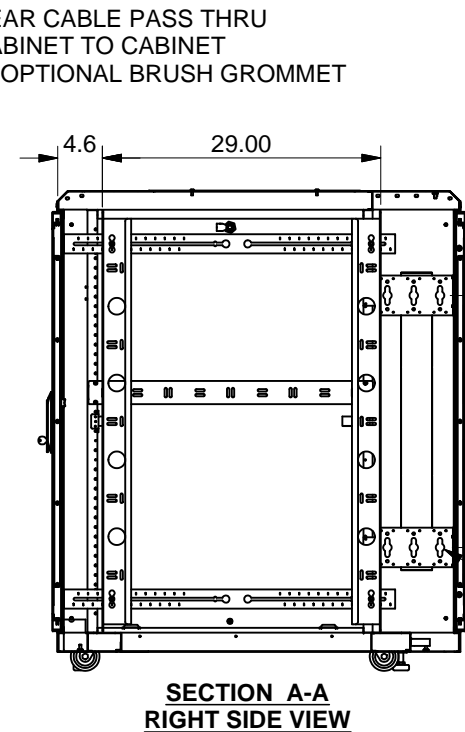
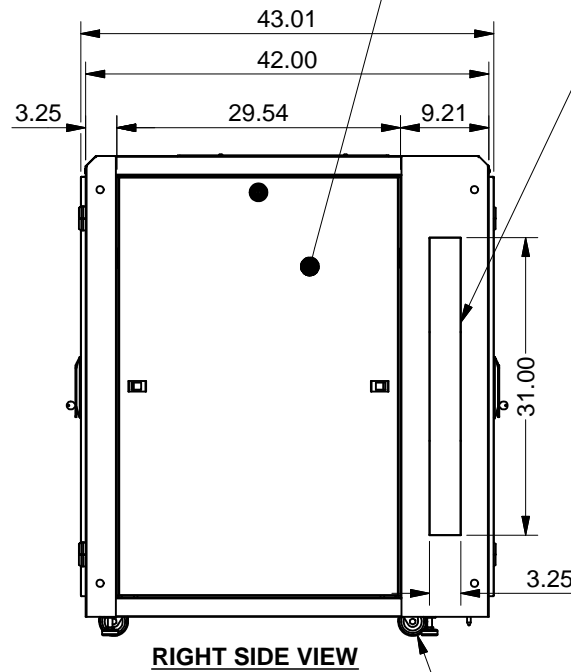
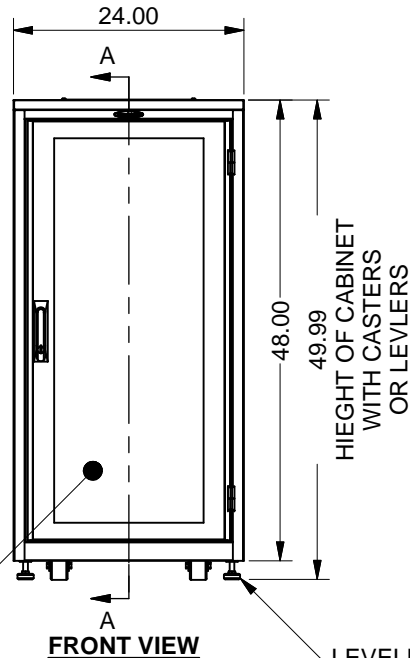
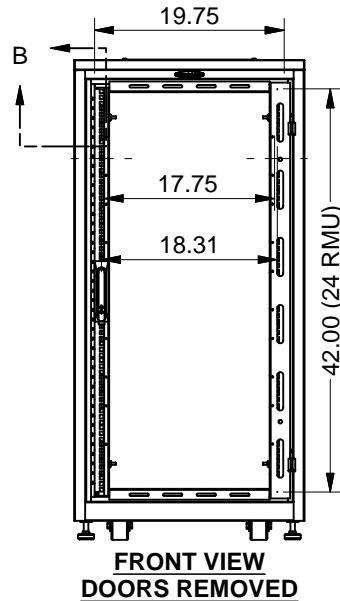
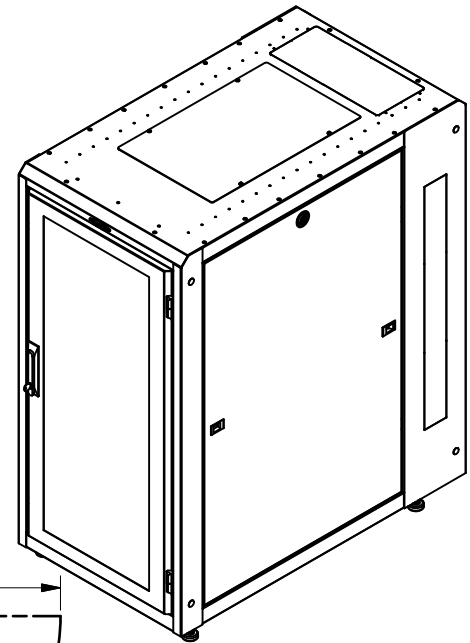
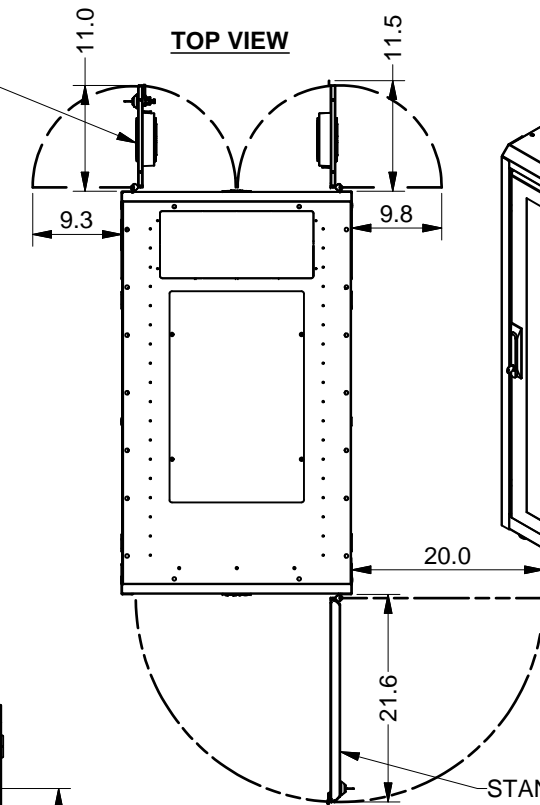


3/8" SQUARE
MTG. HOLES
19" EIA 310-E
COMPLIANT



OPTIONAL SPLIT FAN DOORS
4803E-SF24
SHOWN FOR REFERENCE
180° DOOR SWING



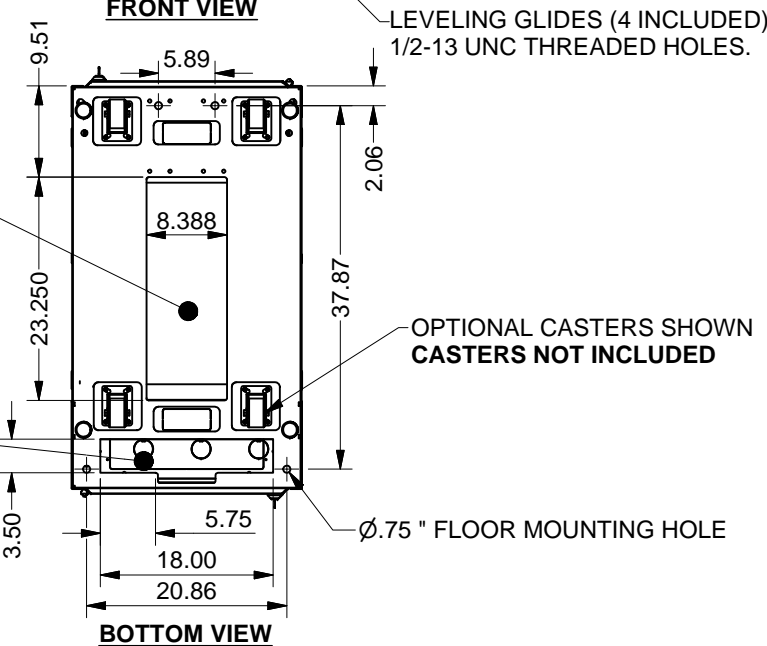
STANDARD MESH CONTOUR DOOR
SHOWN FOR REFERENCE
180° DOOR SWING.

UNIVERSAL POWER STRIP MOUNTING BRACKETS
KEYED BOTTOM MOUNTING.
WILL ACCEPT 3 PDU's, (1) 34"L (MAX.) & (2) 44"L (MAX) x 2.5"W PER SIDE.

MESH CONTOUR DOORS
FRONT AND REAR w/
EASY LATCH LOCKING HANDLES
LIFT OFF & FIELD REVERSIBLE

CENTER BOTTOM CABLE
ACCESS AREA (195 sq.in.)

REAR BOTTOM CABLE
ACCESS AREA (63 sq.in.)



OPTIONAL CASTERS SHOWN
CASTERS NOT INCLUDED

SPECIFICATIONS:

- DIMENSIONS:** 48.0"H (50.0"H w/ OPTIONAL CASTERS) x 24.0"W x 42.0"D
- RACK SPACES:** 24 RMU w/ NUMBERED RMU INDICATORS, 19" EIA 310-E COMPLIANT.
- WEIGHT CAPACITY:** 2000 lbs. (BOLTED TO FLOOR, LEVELERS, OR ON CASTERS.)
- COLOR:** DURABLE TEXTURED BLACK POWDER COATING
- CERTIFICATIONS:** UL 60950-1 STANDARD FOR I.T. & COMMUNICATIONS EQ., ENCLOSURES.
- CONSTRUCTION:** 2 PAIR MOUNTING RAILS, #12 GA. C.R.S. FULLY WELDED FRAME, #14 & #12 GA. C.R.S. DOORS, SIDE PANELS, TOP PANEL, #16 C.R.S.
- HARDWARE:** PACKAGE OF QTY-30; M6 SCREWS AND CAGE NUTS, INCLUDED.

INTERPRET DRAWING PER ASME Y14.5M-1994
DIMENSIONAL LIMITS APPLY
AFTER APPLICATION OF FINISH
DRAWING NOT TO SCALE
TOLERANCE UNLESS OTHERWISE NOTED:
ANGULAR +/- 1°
.XXXX +/- .010
.XXX +/- .015
.XX +/- .030
.X FOR REF. ONLY

NOTICE:
Use of this document is subject to a confidentiality and nondisclosure agreement with Great Lakes Case & Cabinet Co., Inc. (GLCC) and may not be reproduced, disclosed or utilized in whole or in part without prior written authorization from GLCC.

PART NUMBER:	480ES-2442MS
QTY PER UNIT:	1
MATERIAL TYPE:	
MATERIAL GAUGE:	
FINISH:	
DRAWN:	9/14/07
CHECKED:	9/14/07

TITLE:	ENHANCED SERVER ENC, 24 RMU, 19" EIA
<small>P.O. BOX 551 EDINBORO, PA 16412 PHONE (814) 734-7303 FAX (814) 734-3907 E-MAIL: glcc@greatcabinets.com</small>	
DWG NO:	480ES-2442MS
REV:	1
SHEET	1 OF 1



UNLESS OTHERWISE SPECIFIED
ALL DIMENSIONS ARE IN INCHES