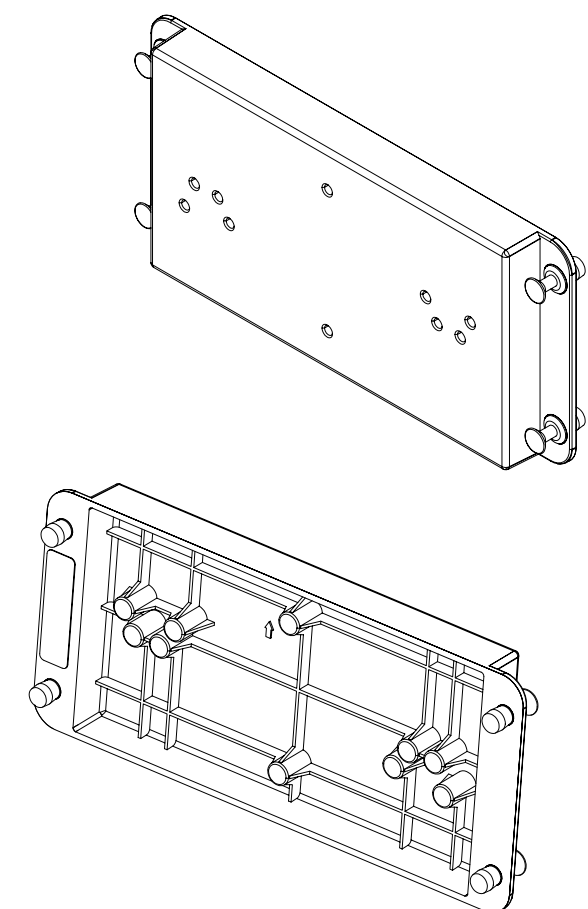
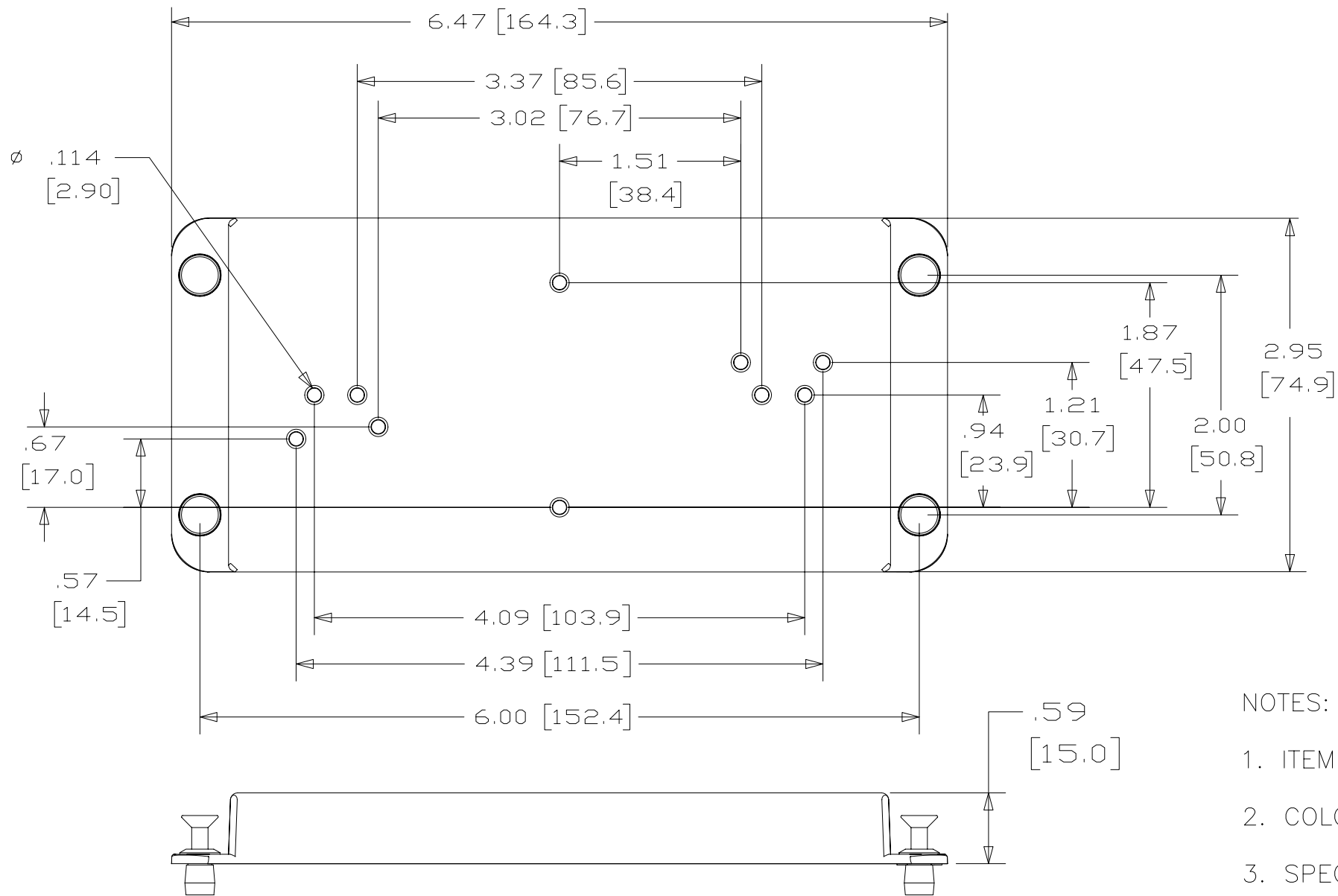



ITEM NO.	DESCRIPTION	QTY.	CATALOG NUMBER	DESCRIPTION
1	BLANK MODULE	1	NSOBM	NSO BLANK MODULE
2	VELCRO STRIP, 1/2 W X 5 L, WITH PSA	2		
3	INSTRUCTION SHEET	1		



- NOTES:
- ITEM 2 AND 3 NOT SHOWN
  - COLOR: BLACK
  - SPECIFICATIONS SUBJECT TO CHANGE WITHOUT NOTICE.

A	6270	01/24/08	INITIAL RELEASE	BTM	
	REV.	ECN	DATE	DESCRIPTION	CHG BY

Created on AUTOCAD	DIMENSIONING AND TOLERANCE PER ANSI Y14.5M-1982 UNLESS OTHERWISE SPECIFIED, DIMENSIONS ARE IN INCHES (MM). TOLERANCES .XX = ±.01 (.25) .XXX = ±.005 (.127) .XXXX = ±.0025 (.0635) ANGLE TOL ±1°		PROJECT REFERENCE: 2008-009		 <b>Hubbell Premise Wiring</b> HUBBELL INCORPORATED (Delaware) 14 Lord's Hill Road, Stonington, Connecticut 06378		
	MATERIAL: BRACKET: ABS PLASTIC UL 94-V0		DRAWN BY: B MARTINO 01/24/08			TITLE: BLANK NSO MODULE	
	IN ACCEPTING OUR DRAWINGS, BLUEPRINTS, OR SUPPORTING DOCUMENTATION FOR QUOTATION OR OTHER PURPOSES, YOU AGREE NOT TO DISCLOSE TO OTHERS THE IDEAS, INFORMATION, OR DESIGNS SHOWN HEREIN, AND THAT YOU WILL MAKE NO USE OF SAME WITHOUT PERMISSION		CHECKED BY:		SIZE: <b>B</b>	DRAWING NO.: <b>HWS12639C</b>	REV.: <b>A</b>
			APPROVED BY:		SCALE: <b>N/A</b>	SHEET <b>1</b> OF <b>1</b>	