

Installation Instructions

Model Number 1040-205/215/225

Assembly Components:

- Suspended Ceiling Kit Model 1040 assembly – 1 each
- Trim – 1 each
- T-Bar Bracket – 1 each
- 1/4" - 20 Wing Nuts – 2 each
- 1/4" Lock Washer – 2 each
- Speed Link hanger wire – 1 each

If any of these items are missing, contact your Oberon representative.

Find a flat work surface to assemble the *ceiling kit*, *access point* and *antenna(s)* prior to mounting in ceiling.

NOTE: A surface mount box (or biscuit jack) and equipment cord can be conveniently mounted inside the Model 1040. (Non-plenum rated cables can be used inside a plenum rated enclosure). Use an adhesive backed surface mount box. Consider bend radius of horizontal cable and equipment cord when attaching the surface mount box.

Step 2 – Place the tile back in the ceiling with the back box and tile bridge over top. Attach the hanger wire through the hole located on the bridge to a permanent structure within the building structure.

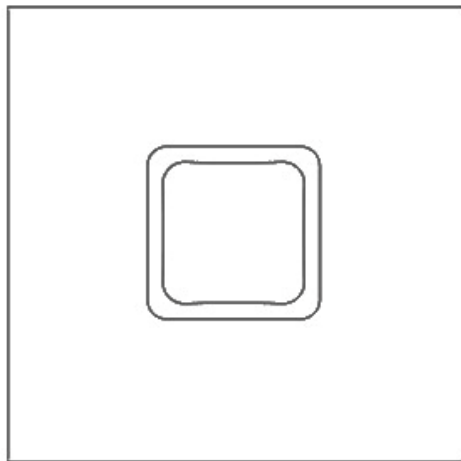


Figure 1 - Ceiling Tile Cutout.

Step 1 – Remove the ceiling tile and use the provided access point trim as a stencil to make a cutout into the ceiling tile (Figure 2).

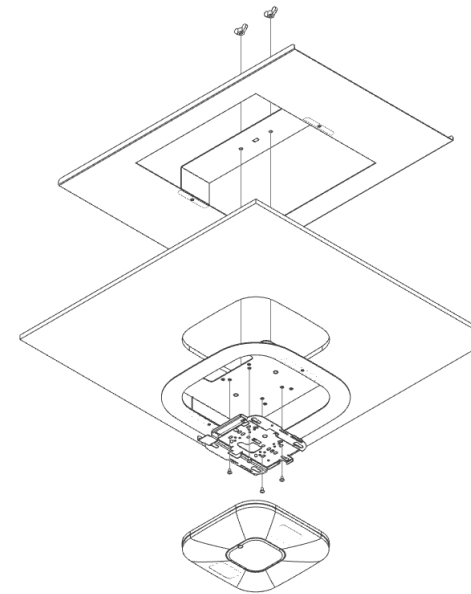


Figure 4 - AP and Trim Installation.

Step 3 – Attach the access point to the provided T-Bar Bracket using the manufacturer's clip/mounting plate (not provided). Place the trim around the access point and use the provided 1/4"-20 wing nuts and 1/4" lock washers to fasten the access point to the ceiling tile and back box (Figure 4).

Note: Take proper safety precautions as many wall/ceiling areas may have electrical or plumbing located behind them.

