

# Installation Instructions

Model Number 1040-CCOAP3800

## Assembly Components:

- Suspended Ceiling Kit Model 1040 assembly – 1 each
- Trim – 1 each
- #8-32 x 1/4" Screws - 4 each
- T-Bar Bracket – 1 each
- 1/4" - 20 Wing Nuts – 2 each
- Speed Link hanger wire – 1 each

If any of these items are missing, contact your Oberon representative.

Find a flat work surface to assemble the *ceiling kit*, *access point* and *antenna(s)* prior to mounting in ceiling.

**NOTE: A surface mount box (or biscuit jack) and equipment cord can be conveniently mounted on inside the Model 1040. (Non-plenum rated cables can be used inside a plenum rated enclosure). Use an adhesive backed surface mount box. Consider bend radius of horizontal cable and equipment cord when attaching the surface mount box.**

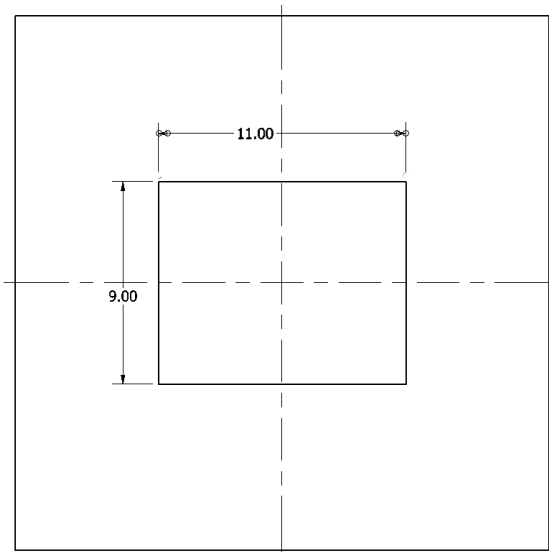


Figure 1 - Ceiling Tile Cutout.

Step 1 – Remove the ceiling tile and cut an 11" x 9" opening. Be sure to center the opening along the centerlines of the tile. (Figure 1).

Step 2 – Place the tile back in the ceiling with the Model 1040 tile bridge placed on top of the ceiling tile. Attach the hanger wire through the center hole located on the bridge to a permanent structure within the ceiling.

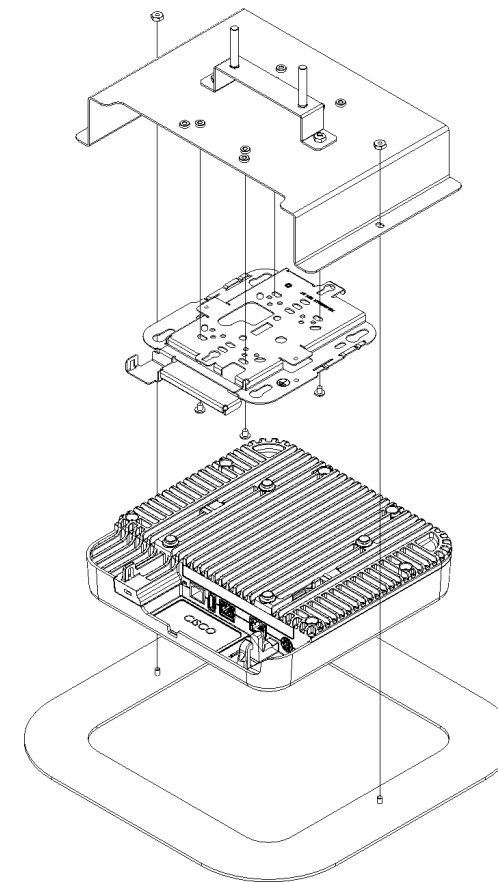


Figure 2 - AP and Trim Installation.

Step 5 - Insert trim assembly through the cutout hole in the ceiling tile so that the threaded studs go through the outer holes in the tile bridge. Use the supplied wing nuts to tighten the trim us to the ceiling tile. The trim should be tightened so the it is snug against tile, however, do not over tighten as it may damage either the tile or trim

Step 3 – To attach the access point to the trim, first remove the two hex nuts that hold the aluminum mounting plate to the painted trim piece. Next attach the Cisco AIR--\_BRACKET-2 to the mounting plate using the four (4) screws provided. The Cisco mounting bracket should be aligned so that the Ethernet jacks of the access point will face toward the cut out area of Oberon mounting plate (Figure 4).

Step 4 - After the Cisco mounting bracket has been installed on the Oberon mounting plate, attach the Cisco 3800 to the Cisco AIR-BRACKET-2. To finish the trim assembly, re-attach the painted trim using the nuts removed in *Step 3*.

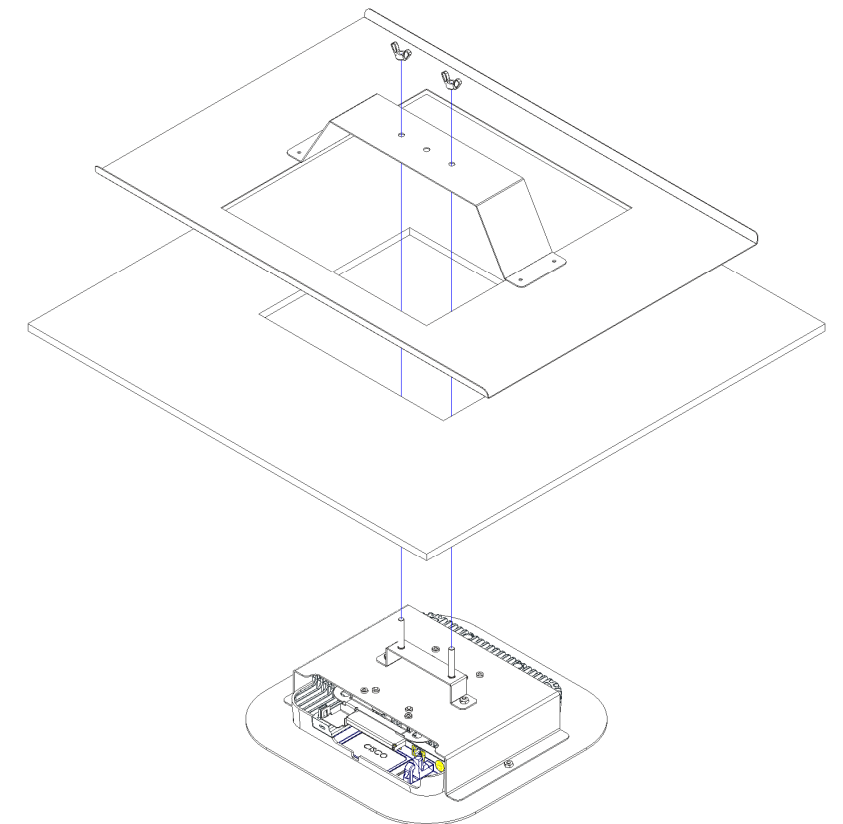


Figure 3 - Final Assembly

