

Installation Instructions

Model Number 1051-00

Assembly Components:

- Ceiling enclosure Model 1051-00 assembly – 1 each
- Decorative screw covers – 4 each
- Mounting hole legend – 1 each
- Keys for access door lock – 2 each
- Firestop Grommet – 1 each
- 1" Conduit Connector – 1 each
- Hanger wire – 4 each

If any of these items are missing, contact your Oberon representative.

Find a flat work surface to assemble the ceiling enclosure, access point and antenna(s) prior to mounting in ceiling.

Step 1 – Remove the metal hole cover(s) and install clamp connector(s). Use two clamp connectors if both power and data lines are to be installed. If only a data line is required (when using power over Ethernet), only one clamp connector will be required (Reference Figure 1).

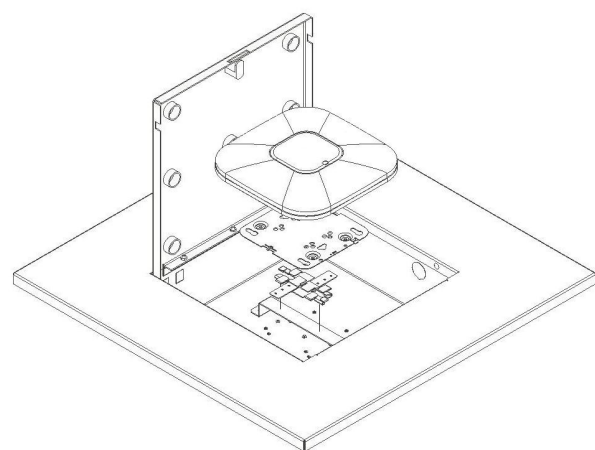


Figure 2 - Install access point.

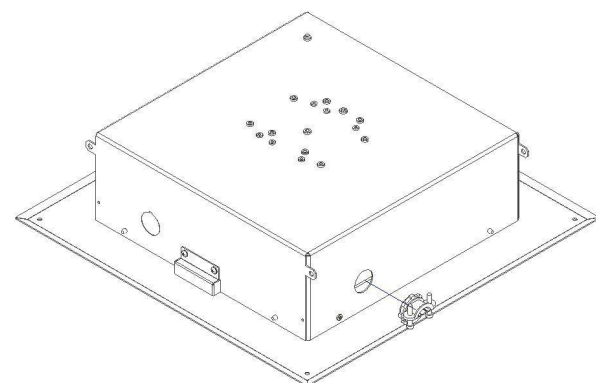


Figure 1 - Cable clamp installation.

Step 2 – (**Any manufacturer's access points**) Install the access point's mounting plate to the enclosure's "T-Bar" bracket using the manufacturer's instructions for attaching the mounting bracket to a ceiling tile grid (T-Bar). Attach the Access Point to the mounting plate. (Ref. Figure 2b) Proceed to Step 3

Step 3 – If applicable, install the antenna(s) per the instructions included with optional antenna kit. After installation, connect the RF coax cable from the antenna to the access point.

The assembled unit is now ready for wall or ceiling installation.

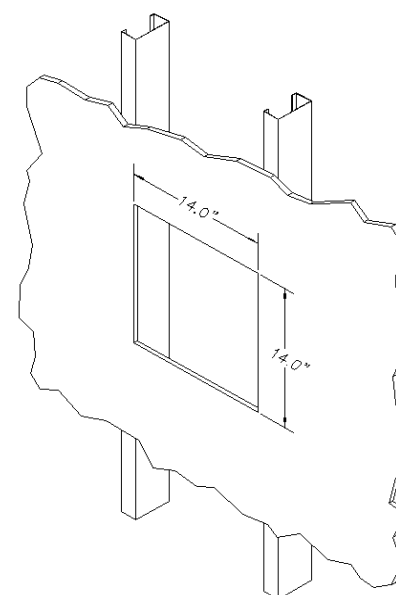


Figure 3 - Prepare wall or ceiling by cutting 14" X 14" opening.

WALL MOUNTING:

Step 5 – To install the enclosure in the wall, bring the data and, if required power lines into the enclosure through the cable clamps.

Position the enclosure so that the mounting holes are centrally located with the studs (16" centers, Reference Figure 4).

For metal studs, use #10 sheet metal screws (or, for wood studs, use #10 wood screws). The screws should be a minimum of 1" in length.

Securely tighten the screws, being sure that the screw is inserted directly into the stud*.

*NOTE: Alternatively, if no studs are available for mounting, drywall anchors may be used.

CEILING MOUNTING:

Step 6 – Run the data and power cable (if required) through the conduit connectors located on sides of the access point enclosure. In order to maintain a separation of signal and power, install the data and power cables through opposite sides of the enclosure utilizing the two knock-outs provided. Pull the data cable through the conduit connector far enough to allow attachment to the access point (8" - 10"). Snap the grommet on to the cable and slide it inside the conduit connector.

Position the enclosure so that the mounting holes are centrally located with the joists (Reference Figure 5).

For metal joists, use #10 sheet metal screws (or, for wood joists, use #10 wood screws). The screws should be a minimum of 2" in length.

Step 4 – To prepare the wall/ceiling for installation, cut a 14" X 14" square hole in the gypsum board (Reference Figure 3). The hole should be located centrally between two adjacent studs/joists. There must be a minimum of 4" of free space available behind the wall to allow for clearance of the enclosure.

Note: Take proper safety precautions as many wall/ceiling areas may have electrical or plumbing located behind them.

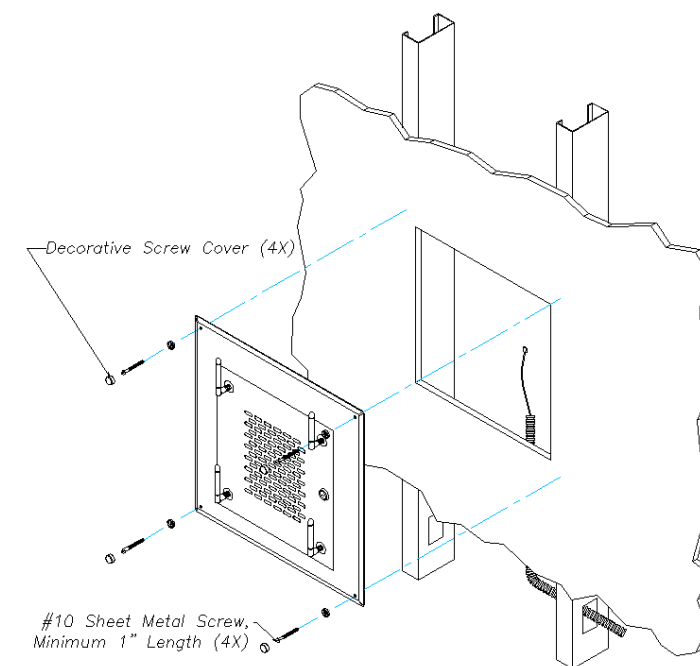


Figure 4 - Wall installation.

Securely tighten the screws, being sure that the screw is inserted directly into the joist*.

*NOTE: Alternatively, if no joists are available for mounting, drywall anchors may be used.

If Placing Enclosure In A Ceiling

Step 7 – Attach the hanger wires to the (4) tabs located on the corners of the backbox and then to a permanent structure within the ceiling.

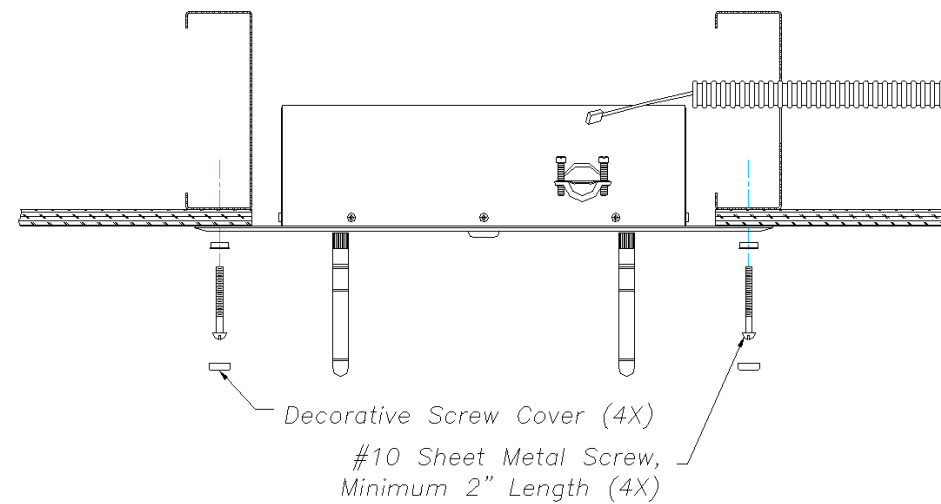


Figure 5 - Ceiling installation.

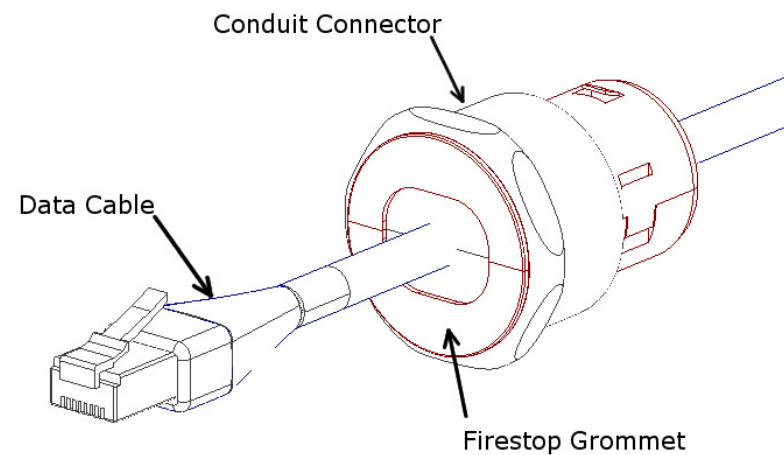
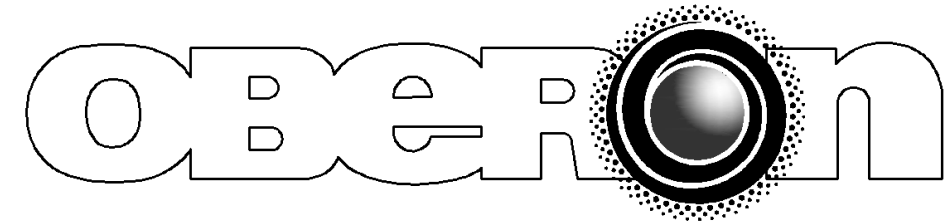


Figure 6



MODEL 1051-00

Installation Instructions

****** WARNING ******

Please thoroughly read the product warning below before installation to provide for a safe work environment.

1. Ceiling mounted products should be installed in accordance with National Electric Code paragraphs 300.10 (Electrical Continuity of Metal Raceways and Enclosures) and 300.11 (Securing and Supporting). Independent support wires or other means must be used for the installation of this product in the ceiling. Acoustical, suspended, false, drop and concealed spline ceiling grid work is not designed to support the weight of this product. Oberon's ceiling mounted products have four support wire tabs on the back box. These tabs shall be used for supporting the product with independent support wires, wire rope, threaded rod, or other secure support means of adequate gauge and fire resistance.
2. When closing the enclosure access door, be sure that the cam lock is completely engaged to prevent the access door from accidentally swinging open.
3. When opening the enclosure door, be sure to support the door to prevent the door from accidentally falling open.
4. This enclosure has a maximum operating ambient of 55° C (131° F), the temperature within the enclosure may not exceed this temperature, depending on power dissipation within enclosure.
5. A minimum air clearance of 1" between the housing of the access point and the enclosure side walls must be maintained for the safe operation of the equipment.
6. This product is intended to be installed by trained personnel.
7. Only Listed ITE products and Listed AC Receptacles shall be installed within the enclosure.
8. This product is to be repaired by personnel trained by the manufacturer or returned to the manufacturer for repair or replacement.
9. Maximum weight to be installed in the unit is 25 lbs.
10. All knockouts, openings, and holes shall be sealed with a plug constructed of metal, or a non-metal material that complies with UL 2043 or UL 1479.
11. All unused mounting holes should be sealed with tape or other material that complies with UL 1479.
12. If AC power is used inside the enclosure, connect the ground wire to the green ground screw located near the knockout in the backbox.