

# Installation Instructions

Model Number 1052-AN-ANT16

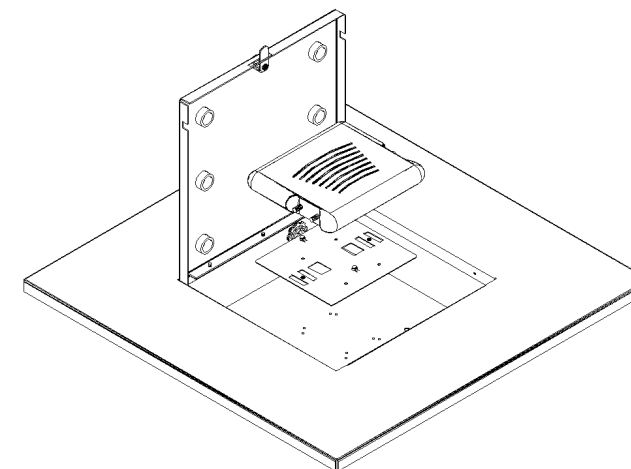
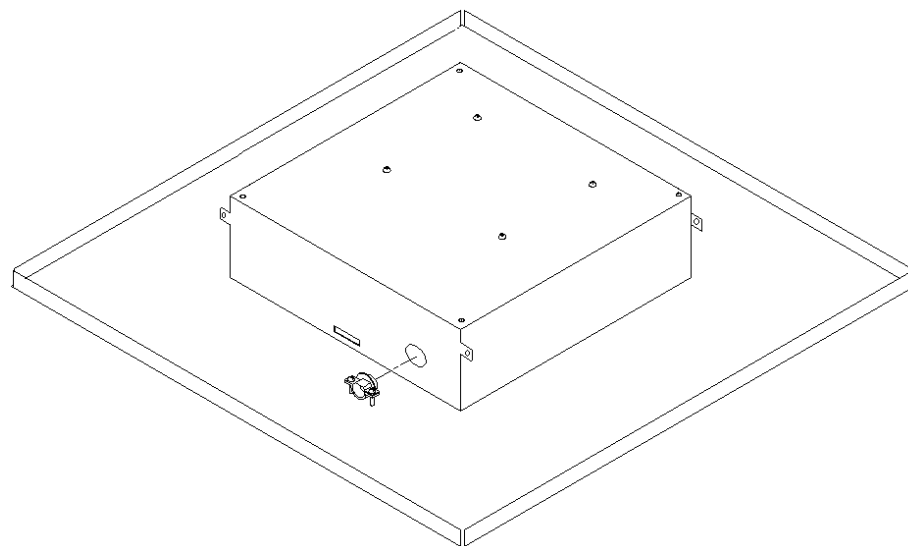
## Assembly Components:

- Ceiling enclosure Model 1052-AN-ANT16 assembly – 1 each
- 1" Trade size cable clamps – 2 each
- #8 – 32 screw – 4 each
- #6 – 32 screw – 4 each
- Installation Instructions – 1 each
- Keys for access door lock – 2 each
- Firestop Grommet – 1 each
- Support wire – 4 each

If any of these items are missing, contact your Oberon representative.

Find a flat work surface to assemble the *ceiling enclosure*, *access point* and *antenna(s)* prior to mounting in ceiling.

Step 1 – Place the *ceiling enclosure assembly* on the work surface with the keyed doorway unlocked. Remove hole covers located on the outside edge of the back box to install cable clamps. Install one cable clamp if using P.O.E. or install 2 cable clamps if bringing in power and Ethernet and power separately.



Step 2 – (**Aruba APs Only**) Install the access point so that the three antenna connectors are facing toward the door lock. Securely fasten the *access point's mounting plate* to the mounting holes on the back wall of the enclosure using (4) # 8-32 screws. Attach the screws to the **outer** hole pattern. Attach the *Access Point* to the mounting plate. Attach antennas to the access point and clip to the door. Proceed to *Step 3*.

Step 3 – If applicable, install the Aruba Networks AP-ANT-16 antenna per the instructions included with it. After installation, connect the *RF coax cable* from the *antenna* to the *access point*.

The assembled unit is now ready for ceiling installation.

Step 4 – Remove the ceiling tile and replace it with the completed *access point enclosure assembly*.

Step 5 – Use minimum 12-gauge grid wire (included) to attach the *access point enclosure* to the ceiling. Attach one end of the wire to the eye tabs located along the edge of the back box and the other end to a permanent structure within the ceiling such as a ceiling joist.

**⚠\*\*IMPORTANT\*\*** - *This is an important safety feature that could prevent human injury or damage to the access point should the unit become dislodged from the ceiling.*

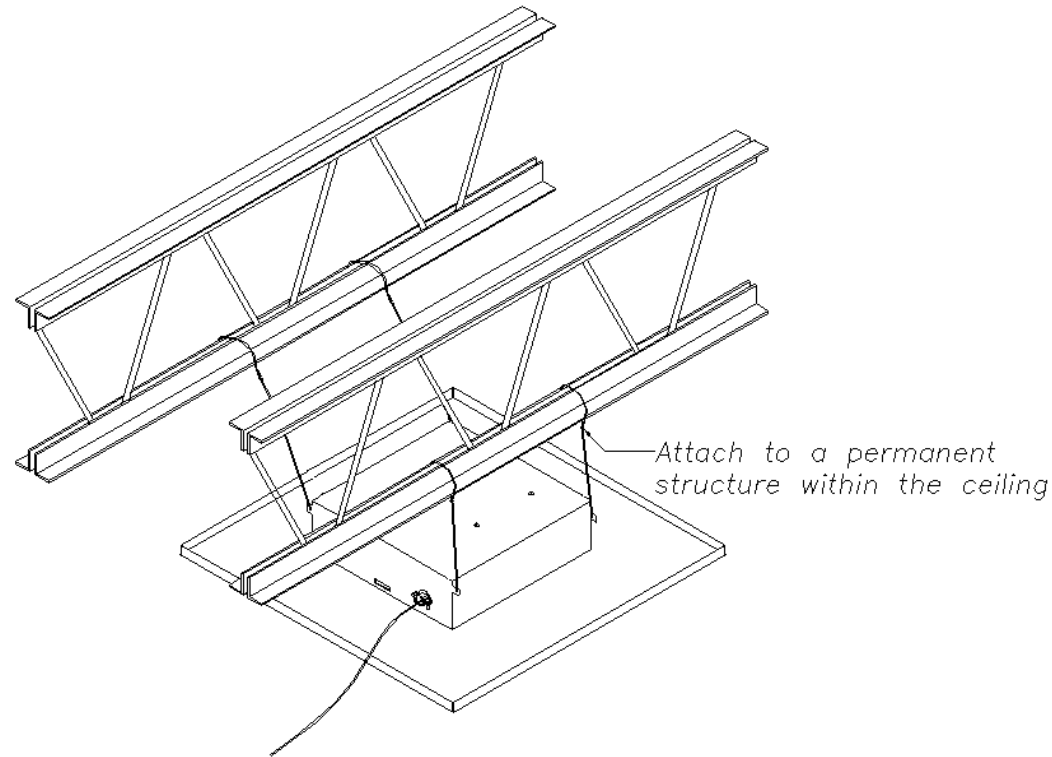


# MODEL 1052-AN-ANT16

## Installation Instructions

\*\*\*\* **WARNING** \*\*\*\*

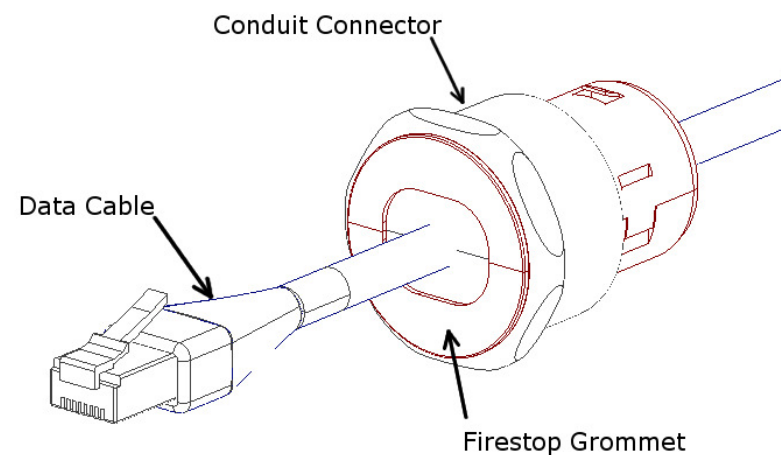
**Please thoroughly read the product warning below before installation to provide for a safe work environment.**



Step 6 – Run the data and power cable (if required) through the conduit connectors located on sides of the *access point enclosure*. In order to maintain a separation of signal and power, install the data and power cables through opposite sides of the enclosure utilizing the two knock-outs provided. Pull the data cable through the conduit connector far enough to allow attachment to the access point (8" - 10"). Snap the grommet on to the cable and slide it inside the conduit connector.

Step 7 – Attach data and power cables to the *access point* through the access door then tighten the screws on the cable clamp.

Step 8 – Close and lock the access door. The installation is now completed.



**The Oberon Model 1052-AN-ANT16 access point enclosure is specifically designed to be used with the Aruba AP-120, and AP-124 access points.**

1. Ceiling mounted products should be installed in accordance with National Electric Code paragraphs 300.10 (Electrical Continuity of Metal Raceways and Enclosures) and 300.11 (Securing and Supporting). Independent support wires or other means must be used for the installation of this product in the ceiling. Acoustical, suspended, false, drop and concealed spline ceiling grid work is not designed to support the weight of this product. Oberon's ceiling mounted products have four support wire tabs on the back box. These tabs shall be used for supporting the product with independent support wires, wire rope, threaded rod, or other secure support means of adequate gauge and fire resistance.
2. When closing the enclosure access door, be sure that the cam lock is completely engaged to prevent the access door from accidentally swinging open.
3. When opening the enclosure door, be sure to support the door to prevent the door from accidentally falling open.
4. This enclosure has a maximum operating ambient of 55° C (131° F), the temperature within the enclosure may not exceed this temperature, depending on power dissipation within enclosure.
5. A minimum air clearance of 1" between the housing of the access point and the enclosure side walls must be maintained for the safe operation of the equipment.
6. This product is intended to be installed by trained personnel.
7. Only Listed ITE and Listed AC Receptacles shall be installed within the enclosure.
8. This product is to be repaired by personnel trained by the manufacturer or returned to the manufacturer for repair or replacement.
9. Maximum weight to be installed in the unit is 25 lbs.
10. All knockouts, openings, and holes shall be sealed with a plug constructed of metal, or a non-metal material that complies with UL 2043 or UL 1479.
11. All unused mounting holes should be sealed with tape or other material that complies with UL 1479.
12. If AC power is used inside the enclosure, connect the ground wire to the green ground screw located near the knockout in the backbox.