

Installation Instructions

Model Number 1077-WA

Assembly Components:

- Ceiling enclosure Model 1077-WA assembly – 1 each
- Universal T-Bar Mount – 1 each
- 3/4" Trade Size Cable Clamp – 1 each
- Fire Block Foam – 1 each
- Support wire – 4 each
- Keys for access door lock – 2 each
- Installation Instructions – 1 each

If any of these items are missing, contact your Oberon representative.

Find a flat work surface to assemble the *ceiling enclosure*, *access point* and *antenna(s)* prior to mounting in ceiling.

Step 1 – Place the *ceiling enclosure assembly* on the work surface with the keyed doorway unlocked. Remove hole knock outs located on the outside edge of the back box to install conduit connectors. Install one conduit connector if using P.O.E. or install 2 conduit connectors if bringing in power and Ethernet and power separately (Figure 1).

NOTE: A surface mount box (or biscuit jack) and equipment cord can be conveniently mounted inside the Model 1077. (Non-plenum rated cables can be used inside a plenum rated enclosure). Use an adhesive backed surface mount box. Consider bend radius of horizontal cable and equipment cord when attaching the surface mount box.

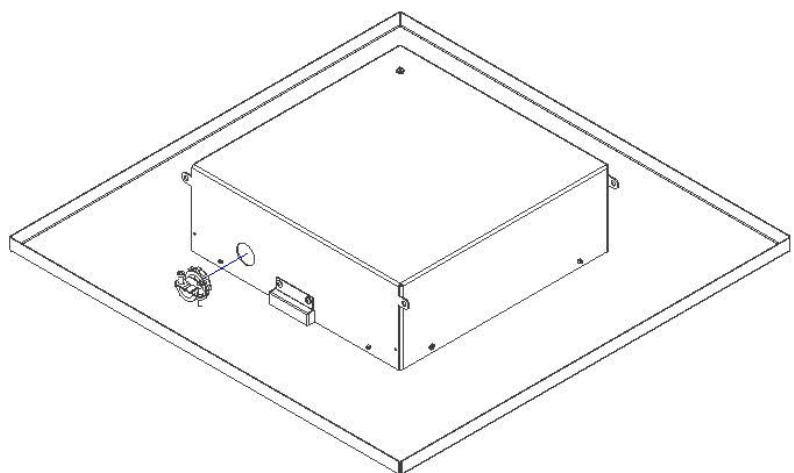


Figure 1



This product is Listed by Underwriters Laboratories Inc. Representative samples of this product have been evaluated by UL and meet applicable safety standards.

File #E348543

Step 2 – Unlock and open the door. Use the manufacturer's T-Bar mount clip to attach the access point to the T-Bar Section on the mounting plate. An additional mounting plate provided by the manufacturer of the access point may be needed to attach the access point (Figure 2). *Data cable(s) may need to be plugged in to the access point prior to attaching to the mount. Cisco access points use Cisco AIR-AP-BRACKET-2 for 2600/3600 series access points and AIR-AP-BRACKET-1 for 1140/3500 series.*

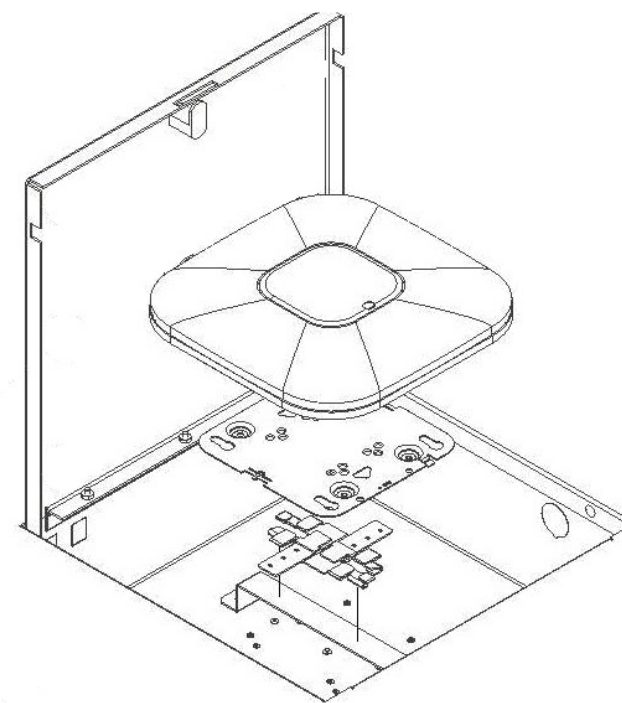
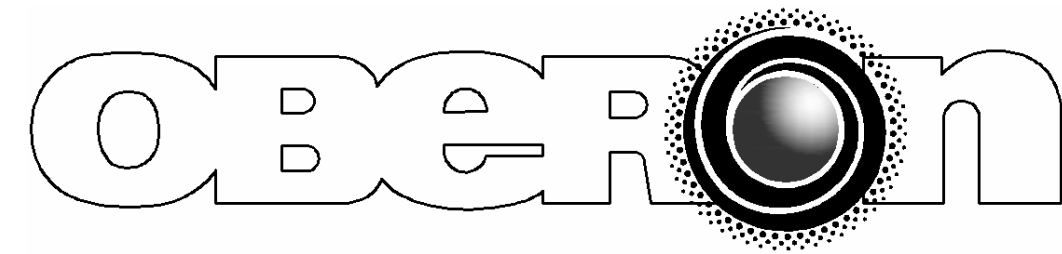


Figure 2 – Exploded door view.

Step 3 – The enclosure is ready to be placed in the ceiling.

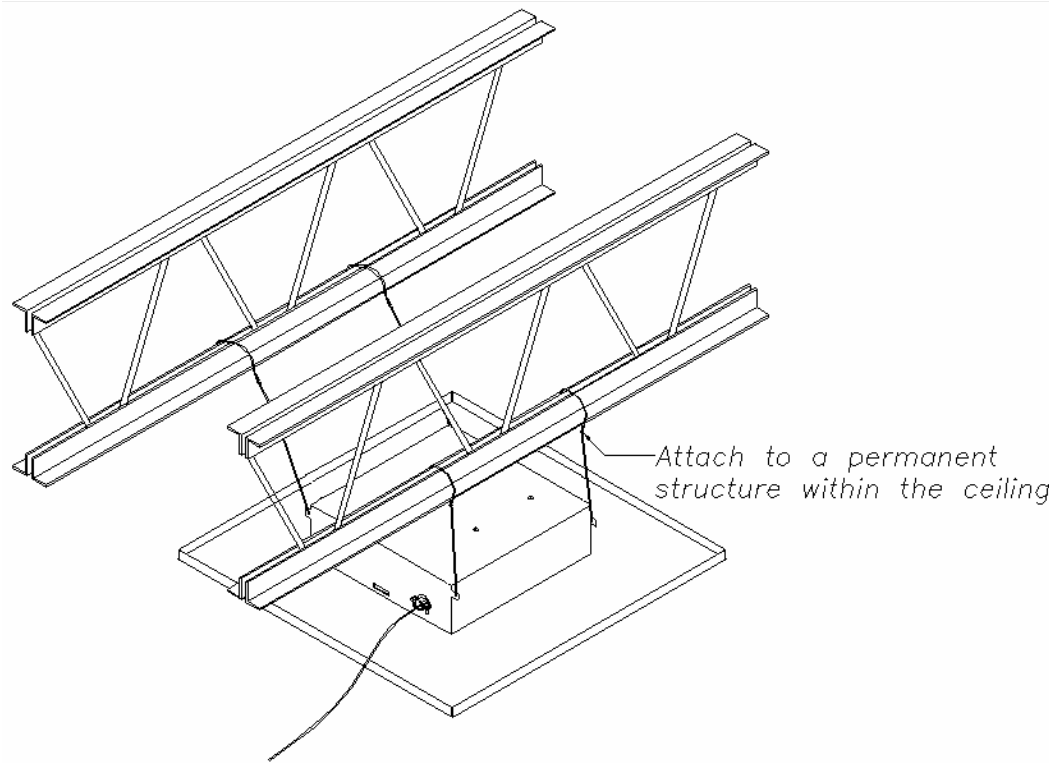


MODEL 1077-WA

Installation Instructions

**** WARNING ****

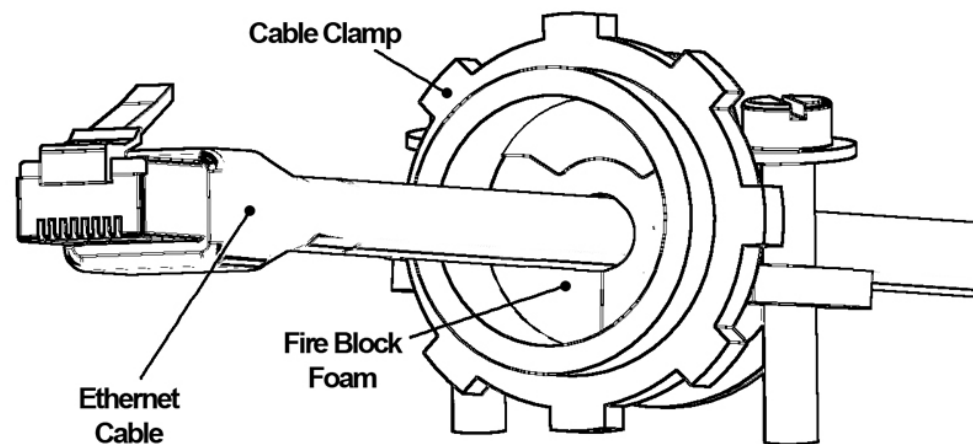
Please thoroughly read the product warning below before installation to provide for a safe work environment.



Step 4 – Remove the ceiling tile from the location where the access point enclosure is to be placed (if necessary) and replace with the assembled unit (ref. Figure 6). Use a minimum of two separate grid wires to attach the *access point enclosure* to the ceiling. Attach one end of the wire to the *eyebolts* and the other end to a permanent structure within the ceiling such as a ceiling joist.

! **IMPORTANT** - This is an important safety feature that could prevent human injury or damage to the access point should the unit become dislodged from the ceiling grid work.

Step 5 – Once the assembly has been installed in the ceiling and secured using grid wire, open the door and run the Ethernet cable into the enclosure through the conduit nipple located on the side of the *access point enclosure* and attach to the access point prior to installing on mounting plate.



Insert foam into the conduit connector and pull the data cable through far enough to allow attachment to the access point (8" - 10"). Tighten cable clamp around foam fire block so that there are no air gaps. Be careful not to over tighten and crush the Ethernet cable(s).

1. Ceiling mounted products should be installed in accordance with National Electric Code paragraphs 300.10 (Electrical Continuity of Metal Raceways and Enclosures) and 300.11 (Securing and Supporting). Independent support wires or other means must be used for the installation of this product in the ceiling. Acoustical, suspended, false, drop and concealed spline ceiling grid work is not designed to support the weight of this product. Oberon's ceiling mounted products have four support wire tabs on the back box. These tabs shall be used for supporting the product with independent support wires, wire rope, threaded rod, or other secure support means of adequate gauge and fire resistance.
2. When closing the enclosure access door, be sure that the cam lock is completely engaged to prevent the access door from accidentally swinging open.
3. When opening the enclosure door, be sure to support the door to prevent the door from accidentally falling open.
4. This enclosure has a maximum operating ambient of 55° C (131° F), the temperature within the enclosure may not exceed this temperature, depending on power dissipation within enclosure.
5. A minimum air clearance of 1" between the housing of the access point and the enclosure side walls must be maintained for the safe operation of the equipment.
6. This product is intended to be installed by trained personnel.
7. Only Listed ITE products and Listed AC Receptacles shall be installed within the enclosure.
8. This product is to be repaired by personnel trained by the manufacturer or returned to the manufacturer for repair or replacement.
9. Maximum weight to be installed in the unit is 25 lbs.
10. All knockouts, openings, and holes shall be sealed with a plug constructed of metal, or a non-metal material that complies with UL 2043 or UL 1479.
11. All unused mounting holes should be sealed with tape or other material that complies with UL 1479.
12. If AC power is used inside the enclosure, connect the ground wire to the green ground screw located near the knockout in the backbox.