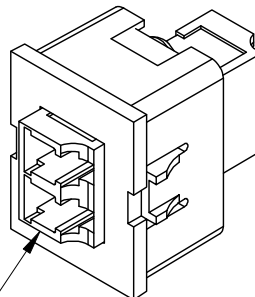
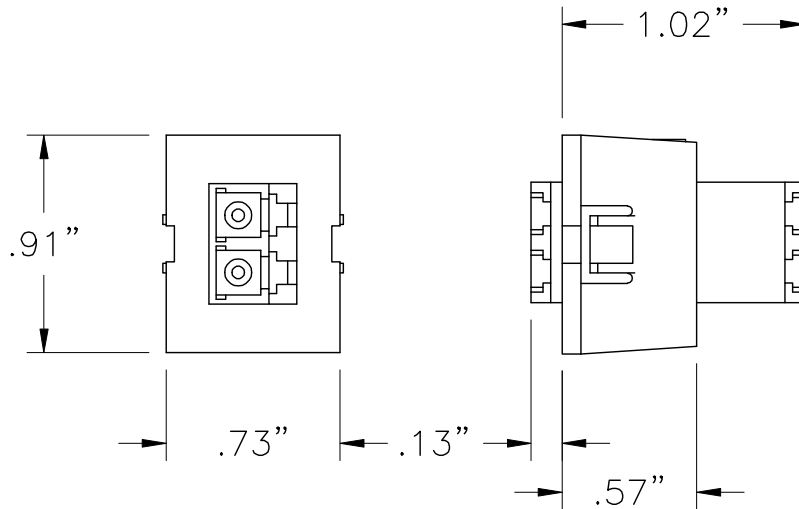


NOTES:

1. DUSTCAPS ARE PROVIDED INSTALLED.
2. DIMENSIONS ARE IN INCHES.
3. THE "-XX" AT THE END OF THE PART NUMBER SHALL INDICATE THE COLOR OF HOUSING. COLOR SHALL BE IN ACCORDANCE WITH ORTRONICS SPECIFICATION #OR-71601654.



INDICATES NOTE REFERENCE



ADAPTER, LC, DUPLEX
(2 FIBER) AQUA, WITH
CERAMIC SLEEVES



TRACJACK HOUSING

*** NOTICE ***
THIS DOCUMENT CONTAINS CONFIDENTIAL AND/OR PROPRIETARY INFORMATION INTENDED FOR USE ONLY BY THE INDIVIDUAL(S) SPECIFIED HEREIN AND ONLY FOR THE PURPOSE(S) PROVIDED. NEITHER THIS DOCUMENT, NOR ANY INFORMATION CONTAINED HEREIN, MAY BE COPIED, DISTRIBUTED, DISCLOSED TO ANY THIRD PARTY OR USED IN ANY MANNER OTHER THAN FOR WHICH IT HAS BEEN PROVIDED, WITHOUT THE PRIOR WRITTEN CONSENT OF ORTRONICS, INC.



DWN.BY:	HATHAWAY	DATE	03/12/07
CHK.BY:	AM	DATE	03/20/07
APP.BY:	MEM	DATE	03/21/07

TITLE			
TRACJACK, LC AQUA DUPLEX, FLUSH MOUNT, 180°, MULTIMODE, CERAMIC SLEEVES			
SIZE	CAD FILE	PART NUMBER	REV
A	63700075XXC	OR-63700075-XX	03
SCALE	REL DATE	SHEET	
NONE	06/02/09	1 OF 1	