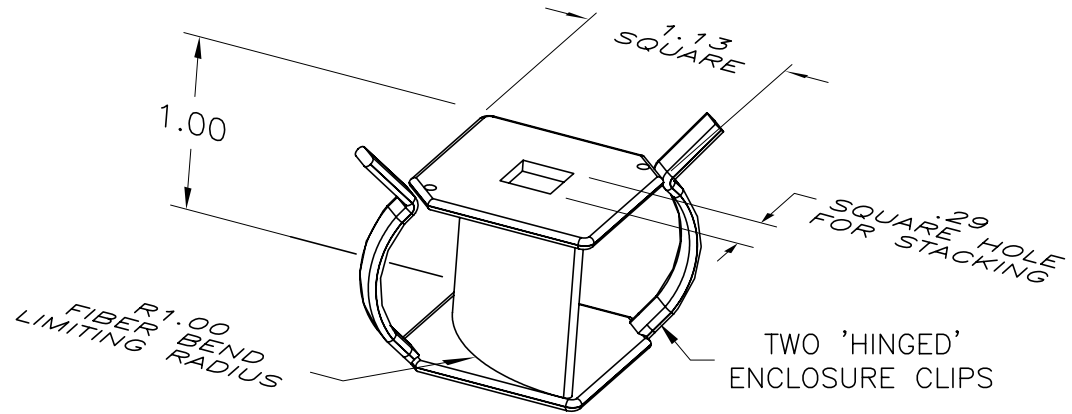


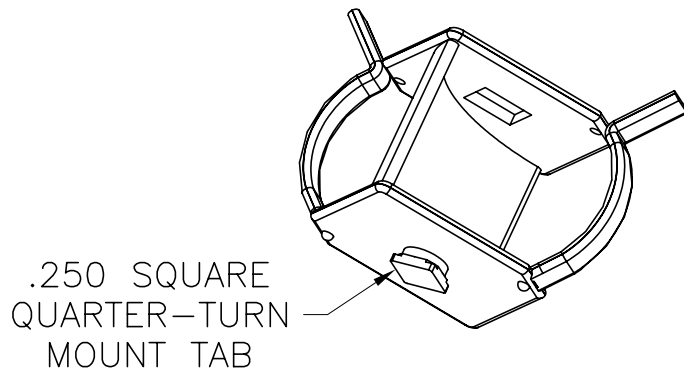
NOTES:

1. MATERIAL IS WHITE NYLON.
2. QUARTER-TURN MOUNT TAB FITS MAXIMUM .06 MATERIAL THICKNESS AND REQUIRES A $.250 \pm .010$ SQUARE MOUNTING HOLE ORIENTED PARALLEL TO THE 1.13 SQUARE EXTERIOR AT THE INSTALLED POSITION.
3. KIT INCLUDES TEN UNITS.
4. DIMENSIONS ARE INCHES.

VIEWED ABOVE



VIEWED BELOW



*** NOTICE ***

THIS DOCUMENT CONTAINS CONFIDENTIAL AND/OR PROPRIETARY INFORMATION INTENDED FOR USE ONLY BY THE INDIVIDUAL(S) SPECIFIED HEREIN AND ONLY FOR THE PURPOSE(S) PROVIDED. NEITHER THIS DOCUMENT, NOR ANY INFORMATION CONTAINED HEREIN, MAY BE COPIED, DISTRIBUTED, DISCLOSED TO ANY THIRD PARTY OR USED IN ANY MANNER OTHER THAN FOR WHICH IT HAS BEEN PROVIDED, WITHOUT THE PRIOR WRITTEN CONSENT OF ORTRONICS, INC.



TITLE

BEND LIMITING CLIPS,
FIBER MANAGEMENT

DWN.BY:	DUPREY	DATE	11/10/04
CHK.BY:			
APP.BY:			

SIZE	CAD FILE	PART NUMBER	REV
A	70800158C	OR-70800158	00
SCALE	REL DATE	SHEET	
NONE	11/10/04	1 OF 1	