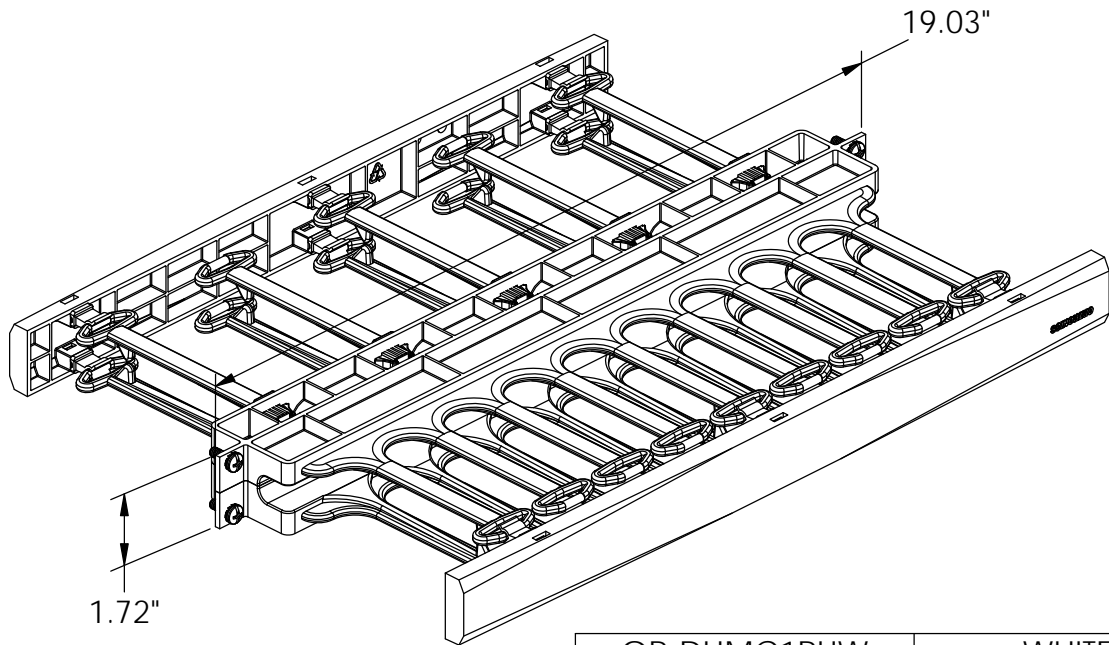
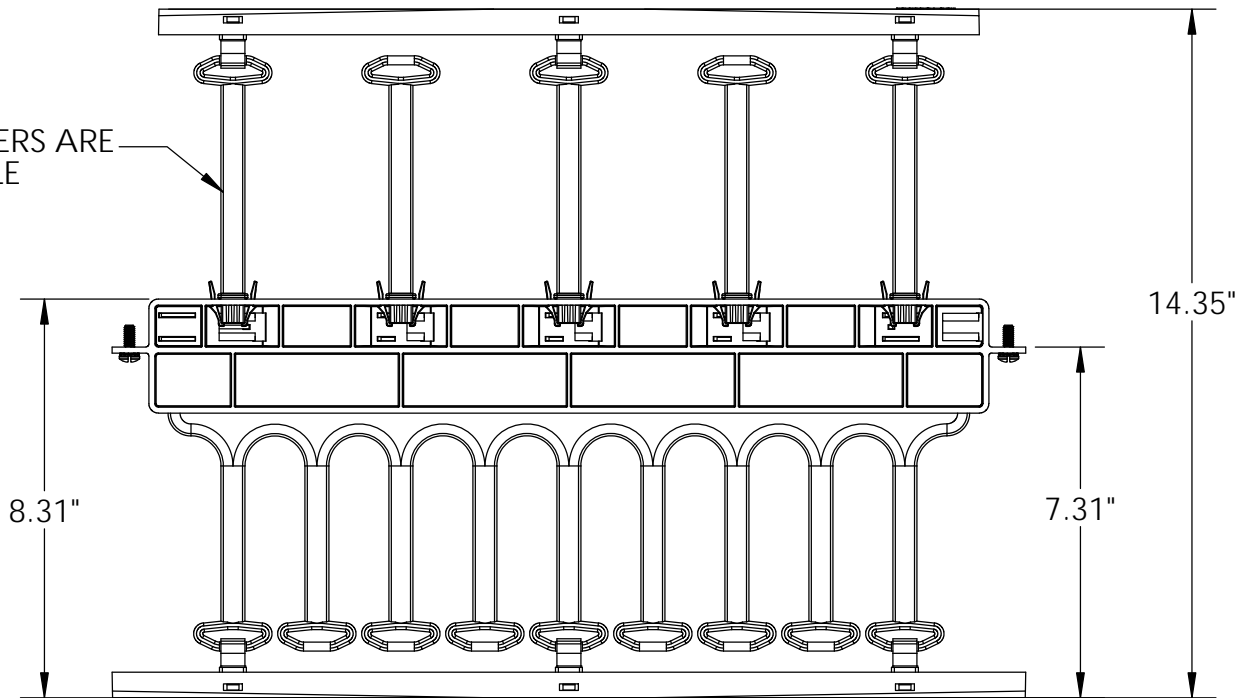



REAR FINGERS ARE  
REMOVABLE



OR-DHMC1RUW	WHITE
OR-DHMC1RU	BLACK
PART NO	COLOR
<b>PART NUMBER DESIGNATIONS</b>	

**RACK MOUNTING SCREWS INCLUDED**

<p>*** NOTICE *** THIS DOCUMENT CONTAINS CONFIDENTIAL AND/OR PROPRIETARY INFORMATION INTENDED FOR USE ONLY BY THE INDIVIDUAL(S) PROVIDED. NEITHER THIS DOCUMENT, NOR ANY INFORMATION CONTAINED HEREIN, MAY BE COPIED, DISTRIBUTED, DISCLOSED TO ANY THIRD PARTY OR USED IN ANY MANNER OTHER THAN FOR WHICH IT HAS BEEN PROVIDED, WITHOUT THE PRIOR WRITTEN CONSENT OF ORTRONICS, INC. MANUFACTURING RELEASE, PRODUCT SPECIFICATIONS AND STANDARDS ARE SUBJECT TO CHANGE WITHOUT NOTICE.</p>			 <p>125 EUGENE O'NEILL DRIVE NEW LONDON, CT 06320 TEL: 860-445-3800 FAX: 860-405-2990 WWW.ORTRONICS.COM</p>			
<p>TITLE</p> <p style="text-align: center;"><b>HORIZONTAL CABLE MANAGER DUAL SIDED W/COVERS, 1RU, 1.75 X 8.25 X 19,</b></p>						
	NAME	DATE	SIZE	CAD FILE	DWG NO	REV
DWN	JQ	6/2/2014	A	DHMC1RUXC	OR-DHMC1RUX	01
CHK	CAC	6/6/2014	SCALE	1:8	SHEET	1 OF 1
APPR	CV	6/6/2014				