

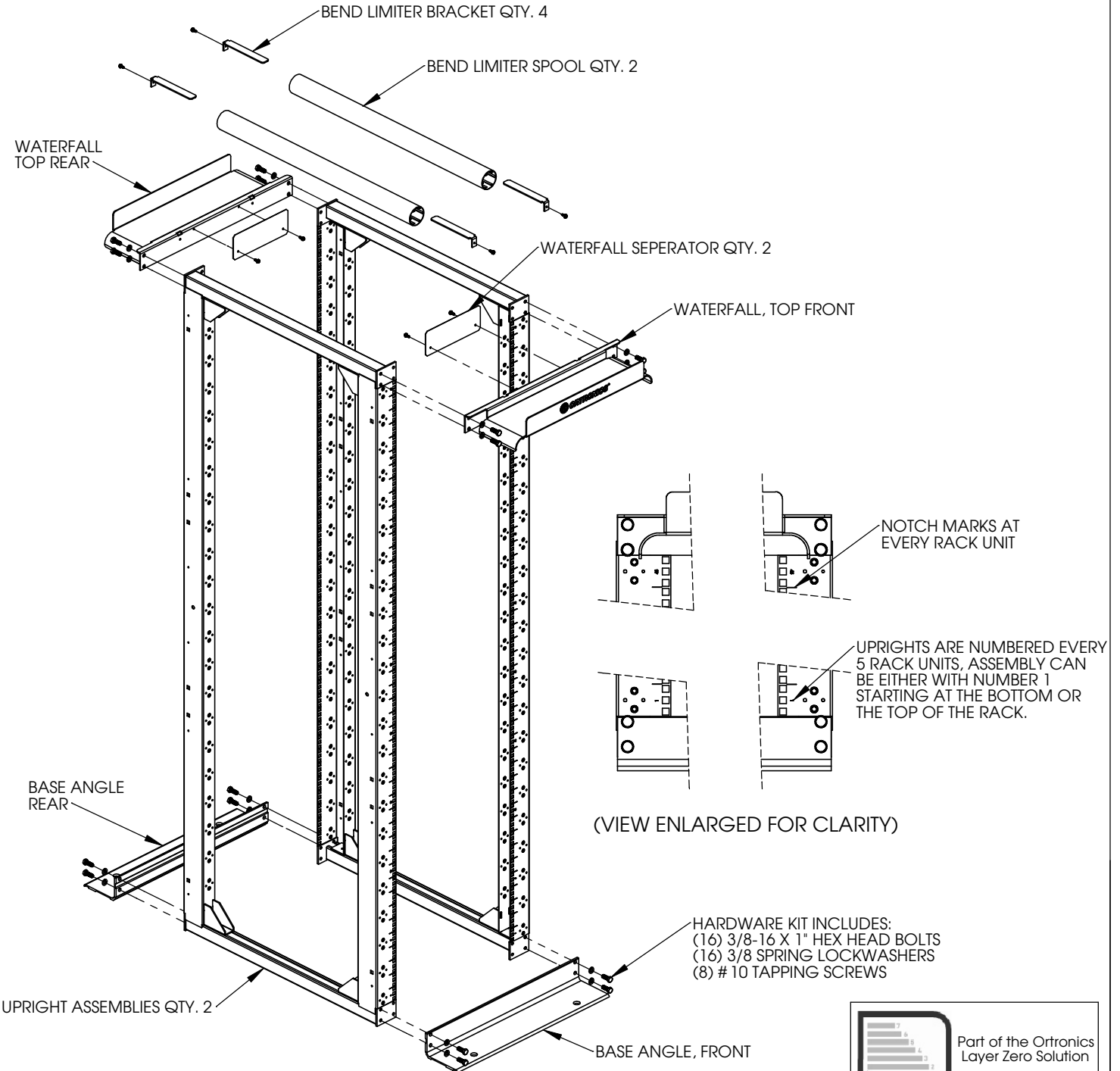
**RACK FOR: 19" PANEL (SHOWN)**
**NOTES:**

ALSO INCLUDED WITH KIT:  
 (50) 12-24 X 1/2" BINDER HEAD SCREW  
 (50) 12-24 CAGE NUTS

SEE SHEET 2 FOR ADJUSTABLE CONFIGURATIONS.

**ASSEMBLY INSTRUCTIONS:**

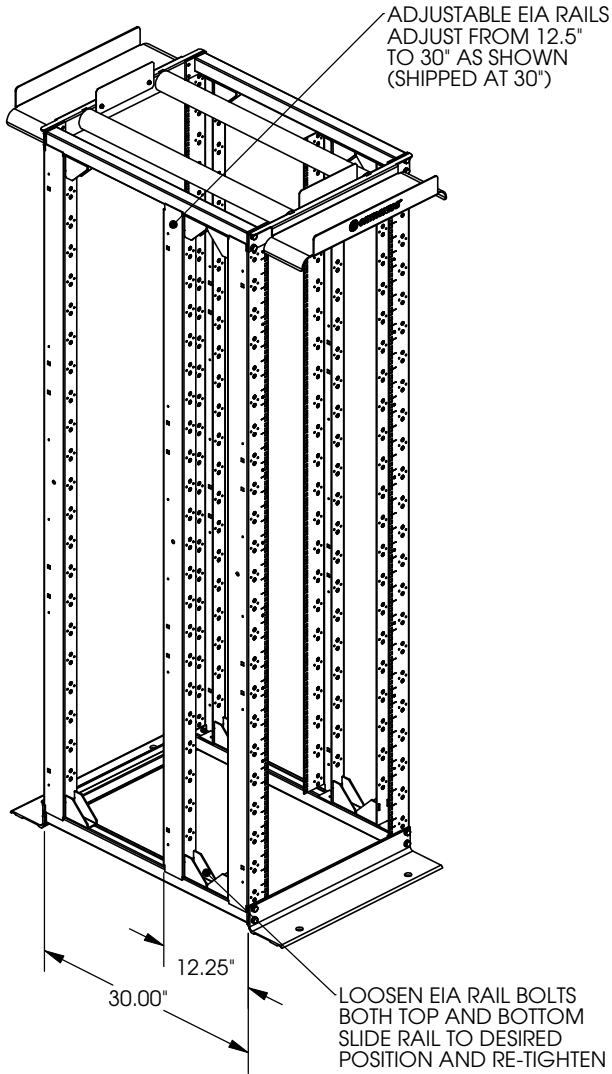
1. INSTALL BEND LIMITER BRACKETS ONTO THE WATERFALLS USING # 10 SCREWS. INSTALL SEPERATOR PLATES USING # 10 SCREWS.
2. INSTALL FRONT WATERFALL USING 3/8 HEX BOLT AND WASHERS ONTO THE FRONT OF THE UPRIGHT ASSEMBLIES, USING THE OUTER HOLES.
3. INSTALL BASE ANGLES ONTO THE FRONT AND REAR OF THE UPRIGHT ASSEMBLIES, USING THE OUTER HOLES.
4. SLIDE THE BEND LIMITER SPOOLS ONTO THE FRONT WATERFALL, SLIDE THE REAR WATERFALL WITH THE BEND LIMITER BRACKETS INTO THE BEND LIMITER AND SECURE THE WATERFALL TO THE REAR UPRIGHT ASSEMBLIES USING 3/8 HEX BOLTS AND WASHERS.



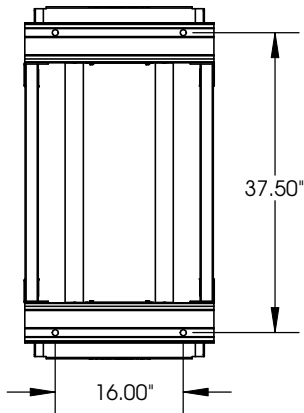
INSTRUCTION SHEET #: OR-71601673	REV: 02	ECN #: 04093	SHEET: 1 of 2	DWN BY: S. LEVESQUE	DATE: 11/10/09	CHK BY: C.A.C.	DATE: 11/30/09	APP. BY: W. DIETZ	DATE: 12/01/09
-------------------------------------	------------	-----------------	------------------	------------------------	-------------------	-------------------	-------------------	----------------------	-------------------

## NOTE:

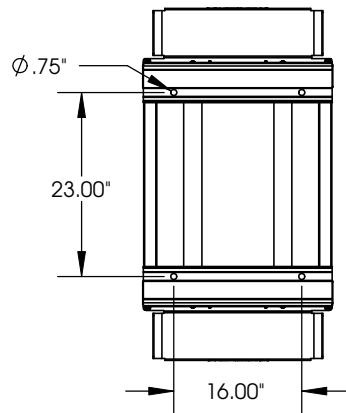
1. IT IS RECOMMENDED THAT THE RACK BE SECURED TO THE FLOOR PRIOR TO ADJUSTING THE UPRIGHT POSITIONS.
2. UPRIGHTS SECURED USING 4 BOLT AND SPRING NUT ASSEMBLIES, DO NOT REMOVE BOLT COMPLETELY.


**MOUNTING HOLE LOCATIONS**

FEET FACING OUTWARD



FEET FACING INWARD


**RACK SHOWN FOR 23" PANEL**

ASSEMBLE LIKE ON PAGE 1 EXCEPT SECURE WATERFALLS AND BASE ANGLES TO INNER HOLES ON THE UPRIGHT ASSEMBLIES.

