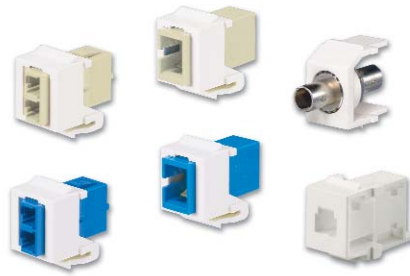


LC, SC, ST, and MT-RJ fiber optic adapters have integrated panel retention clips and are TIA/EIA-604 compliant or compatible. Each simplex adapter will connect one connector pair in one module space and each duplex adapter will connect two LC connector pairs in one module space. LC fiber optic adapters and adapter modules include phosphor bronze split sleeves for OM1 or OM2 multimode applications or zirconia ceramic split sleeves for OM3 multimode or singlemode applications.



technical information

Standard requirements:	All adapters meet or exceed TIA/EIA-568-B.3 requirements LC: TIA/EIA-604 FOCIS-10 compatible; SC: TIA/EIA-604 FOCIS-3 compliant; ST: TIA/EIA-604 FOCIS-2 compatible; MT-RJ: TIA/EIA-604 FOCIS-4 compliant
Split sleeve material:	Zirconia ceramic: 10Gig™ OM3 multimode adapters, OS1/OS2 singlemode adapters Phosphor bronze: OM1 and OM2 multimode adapters
Insertion loss:	Supports the performance of connectors/patch cords
Return loss:	Supports singlemode and multimode connector polish performance

key features and benefits

Integrated panel retention clips	No metal clips to become bent, damaged or lost; simplex adapter clips automatically adjust for FOCIS-3 or FOCIS-10 panel thickness variations for improved mounting
Short flange design (LC and SC only)	Improved modularity and higher density usage
Choice of phosphor bronze or zirconia ceramic split sleeves	Provides an adapter split sleeve material option to fit specific network requirements
Adapters available in keystone modules	System flexibility; modules are interchangeable with keystone outlets, boxes, and patch panels

applications

- Can be used with keystone telecommunications room products and work area outlets
- Provides a rugged solution for LANs, public networks and fiber-to-the-desk applications

NetKey® LC Duplex Fiber Optic Adapter Module

LC duplex adapter with phosphor bronze split sleeve: NKDLCM**

LC duplex adapter with zirconia split sleeve: NKDLCMZ**

NetKey® SC Simplex Fiber Optic Adapter Module

SC simplex adapter with phosphor bronze split sleeve: NKSCM**

SC simplex adapter with zirconia split sleeve: NKSCMZ**

NetKey® ST Fiber Optic Adapter Modules

ST adapter with phosphor bronze split sleeve: NKSTM**

NetKey® MT-RJ Multimode Fiber Optic Adapter Module

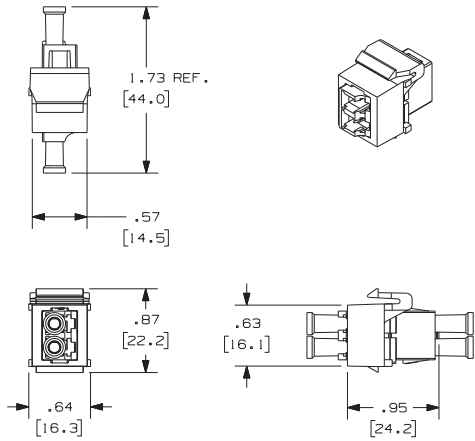
MT-RJ adapter: NKMJM**

NetKey® Module Multimedia Panel – 6 port

Unloaded panel accepts up to six NetKey® Modules: FKP6

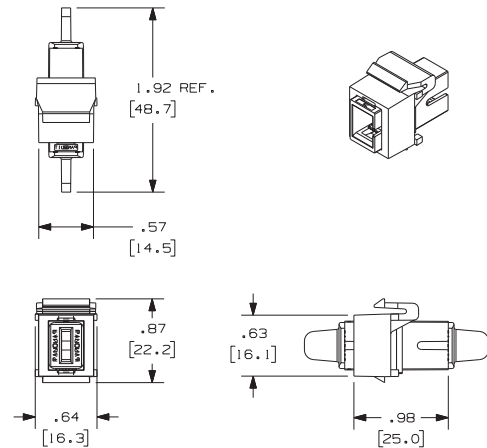
** Substitute for module color
BL = Black
EI = Electric Ivory
IG = International Gray
IW = Off White
WH = White

NetKey® Fiber Optic Adapter Modules



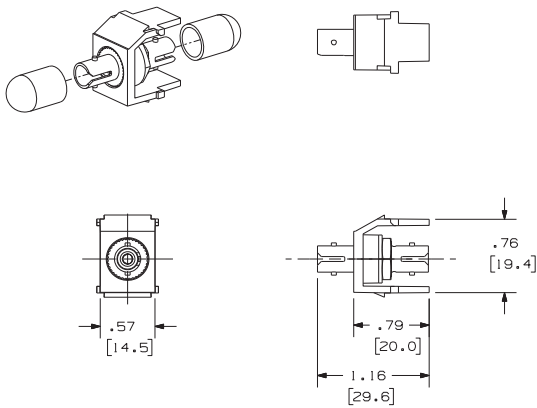
NKDLCM**

Shown without dust caps

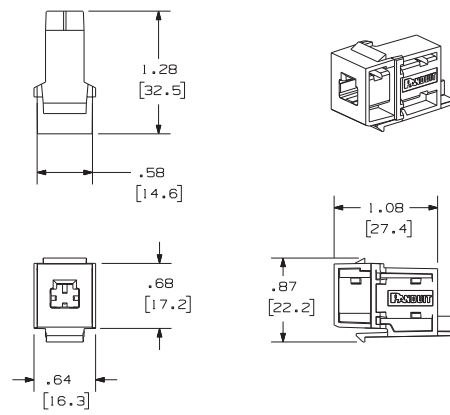


NKSCM**

Shown without dust caps



NKSTM**



NKMJM**

**** Substitute for module color**

BL = Black

EI = Electric Ivory

IG = International Gray

IW = Off White

WH = White

WORLDWIDE SUBSIDIARIES AND SALES OFFICES

PANDUIT CANADA
Markham, Ontario
cs-cdn@panduit.com
Phone: 800.777.3300

PANDUIT EUROPE LTD.
London, UK
cs-emea@panduit.com
Phone: 44.20.8601.7200

PANDUIT SINGAPORE PTE. LTD.
Republic of Singapore
cs-ap@panduit.com
Phone: 65.6305.7575

PANDUIT JAPAN
Tokyo, Japan
cs-japan@panduit.com
Phone: 81.3.6863.6000

PANDUIT LATIN AMERICA
Guadalajara, Mexico
cs-la@panduit.com
Phone: 52.33.3777.6000

PANDUIT AUSTRALIA PTY. LTD.
Victoria, Australia
cs-aus@panduit.com
Phone: 61.3.9794.9020

For a copy of Panduit product warranties, log on to www.panduit.com/warranty

For more information

Visit us at www.panduit.com

Contact Customer Service by email: cs@panduit.com
or by phone: 800-777-3300 and reference NKDS20

PANDUIT®

©2010 Panduit Corp.
ALL RIGHTS RESERVED.

WW-NKDS20

8/2010