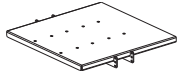


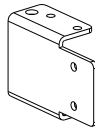
INSTRUCTIONS CM290C

© Panduit Corp. 2014

Optional Accessories



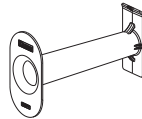
(1) Shelf
(4) #12-24 Screws
SRM19X18A1
SRM19X25A1



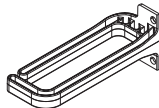
(1) *NETFRAME* Extender
Door Brackets for
23" Mtg
(4) #10-32 Screws
NFEDB23



(1) End Panel
(6) 3/8" - 16x1.625" Hex Bolts
3/8" - 16 Hex Nuts
3/8" Split Lock washers
NFEP



(1) Spool
PRSP5



(8) D-Rings
CMVDR1-8



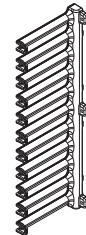
(1) Vertical
Slack Manager
NFVSM4
NFVSM8



(1) Dual
hinged Door,
8" wide w/
Brackets
NFD884
NFD1284

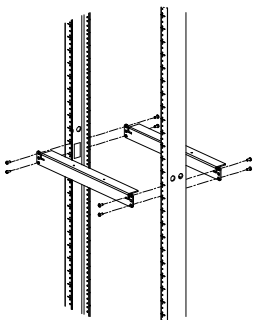


(1) Vertical Duct,
4"x5" with
(2) Covers
(8) #12-24 Screws
WMPVFM45

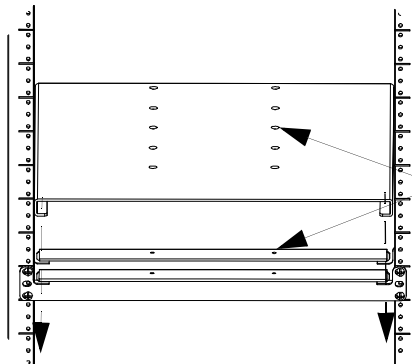


Bend Radius Fingers
NFBRFK

Shelf Installation **SRM19X18A1** **SRM19X25A1**

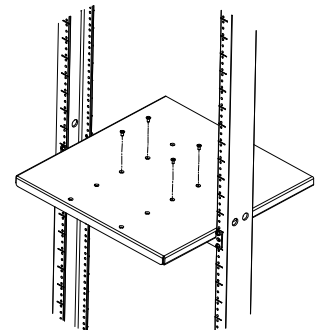


Step 1
Line up shelf bracket flange
holes with EIA tapped holes on
rack. Fasten with (4) #12-24
screws on each bracket.



Screw holes on
shelf and brackets

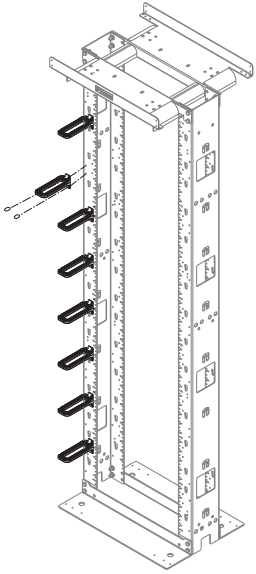
Step 2
Slide side flanges of shelf through
notches in brackets until screw
holes line up at desired location.



Step 3
Secure shelf in place using
(4) provided #10-32 screws.

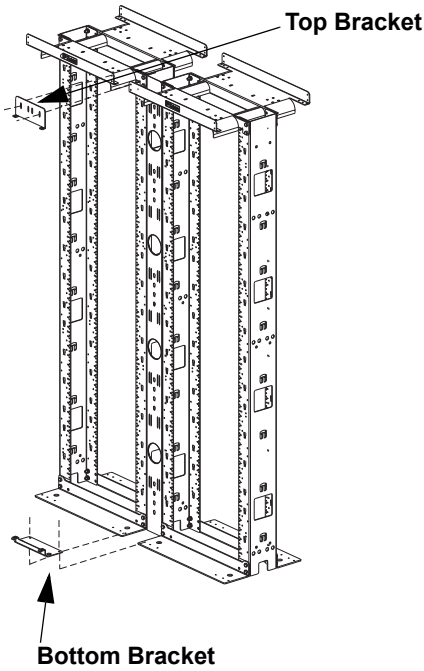
**D-Rings Installation:
CMVDR1K**

Use (2) #12-24 screws to attach D-Ring

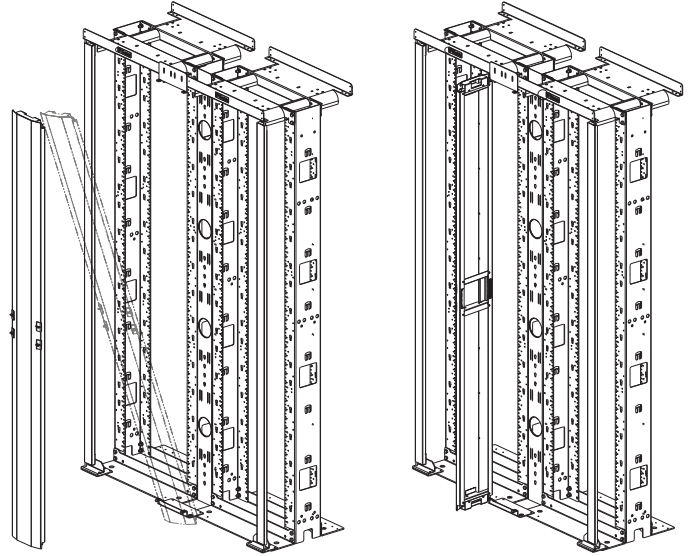


CMVDR1K

**Hinged Door Installation:
NFD884**

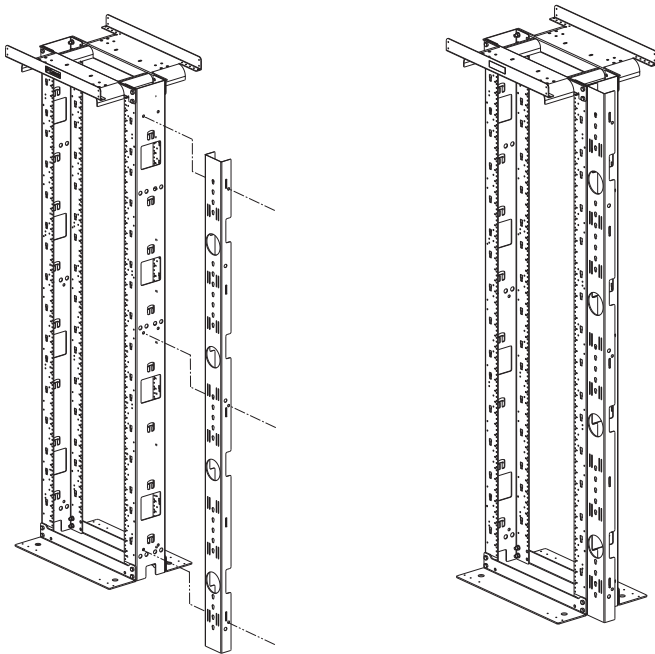


1. Use 3/8"-16x1" bolt, 3/8"-16 nut and 3/8" lock washer fasten slack spool spacer between two *NETFRAMES* using junction holes located on side of rack channels.
2. Straddling the two racks, fasten Top Bracket and Bottom Bracket with #10-32x5/16" screws provided.
3. Door installs to top and bottom brackets by aligning lower hinge pin to hinge pin mounting hole. Squeeze knobs together, then align upper hinge pin to upper hinge pin mounting hole. Release pressure on knobs to set door in place.



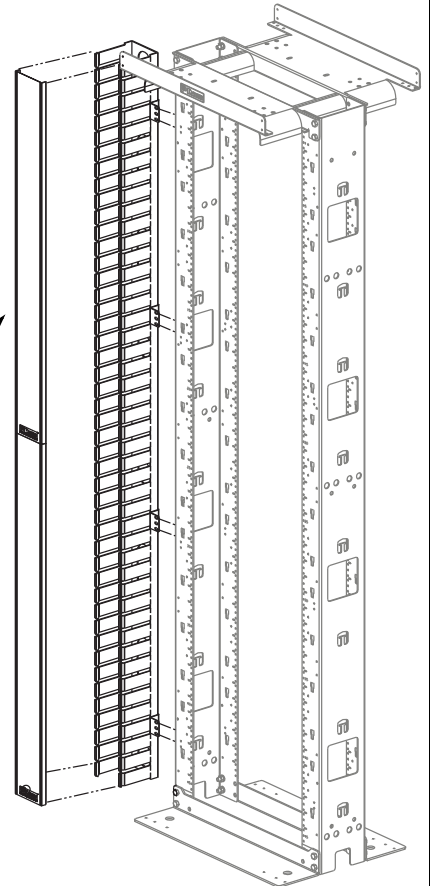
Side Mount EIA/*NETFRAME* Racks

Vertical Slack Manager attaches to your frame with (3) 3/8" bolts, nuts and lock washers.

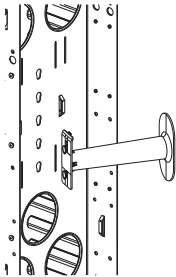


**Vertical Duct Installation
WMPVFM45**

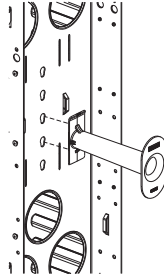
4x5 Vertical Duct with Covers and (8) #12-24 screws



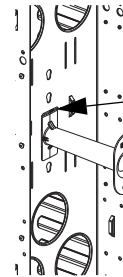
**NetRack Vertical Slack Manager: NFVSM4,NFVSM8
Spool Installation**



Step 1
Align buttons with mounting leg slot



Step 2
Push buttons through backbone until mounting face is flush with backbone.



Step 3
Apply downward pressure until plastic spool clicks into place.

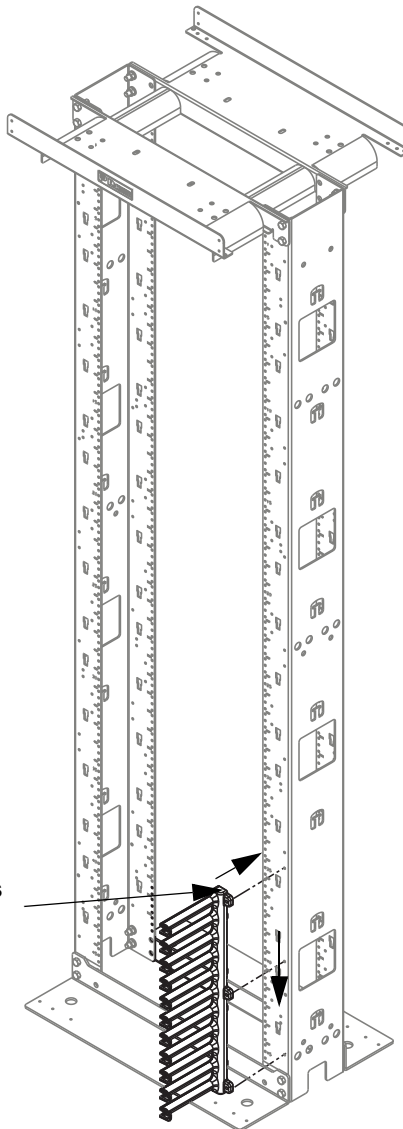
Angled Flange

Removal/Replacement

Step 4
Pull back on angled flange while applying upward pressure
Step 5
Repeat steps 1-3

**Bend Radius Fingers Installation
NFBRFK**

Fingers install by snapping down use (3) #12-24 screws to secure each finger section in desired location.

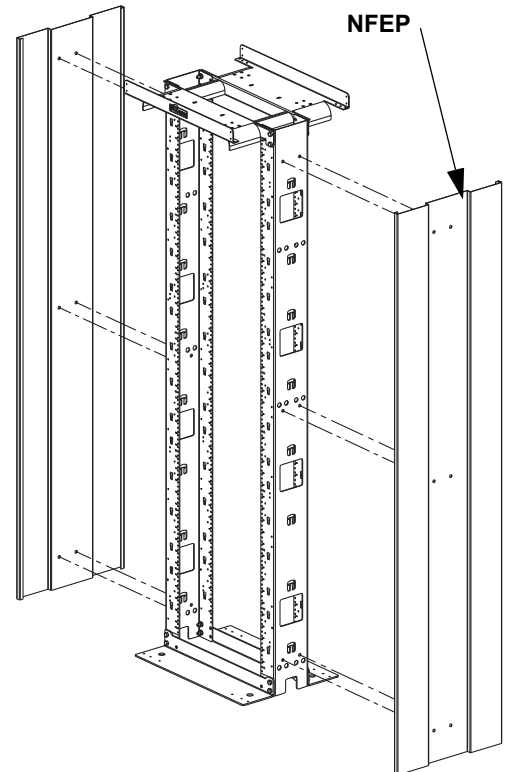


(3) #12-24 Screws

Note:
Start finger installation from bottom of rack and continue upwards.

**End Panel
NFEP**

NFEP attaches to rack with (6) 3/8"-16x.625" Hex Bolts, 3/8"-16 Hex Nuts and 3/8" Split Lock washers provided.



NFEP

For instructions in Local Languages and Technical Support:

www.panduit.com/resources/install_maintain.asp

PANDUIT

www.panduit.com

E-mail:
cs@panduit.com

Fax:
(708)444-6448